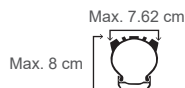


Compatibility

Wheel size: 20"-29".
Tyre Size—Max. height (rim+tyre): 8 cm (3.15");
Max. width: 7.62 cm (3").



Tools Required

- 4 mm Allen key
- Drill
- Drill bit
- Phillips head screwdriver
- Hammer (if wall plugs are used)

Warning

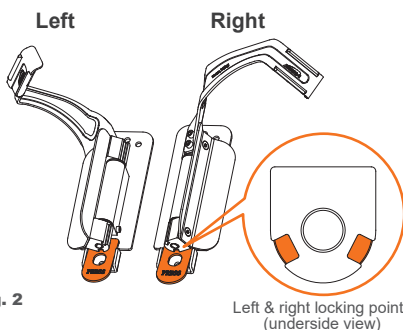
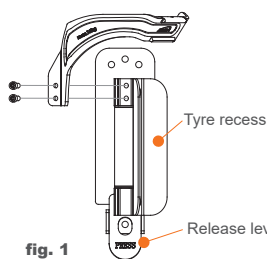
- Do not mount hanger on drywall, or wooden panel walls unless there is a wooden stud behind it.
- Use drill bit of appropriate size and type: e.g. masonry drill bit for masonry.
- Avoid any electrical, plumbing, or water fittings hidden in or behind walls.
- Mount in a place where it is unlikely to cause obstruction, be knocked or bumped, or interfered with by young children.
- **If you lack the DIY skills to install hanger, seek professional help.**

警告 (繁體中文) 1、請勿將本產品鎖固在沒有支撐的牆壁、石膏板或裝飾板上。2、磚塊或水泥牆請使用6.5mm的鑽頭鑽孔。3、安裝時請避開電子電路、瓦斯、天然氣或自來水的管線。4、吊掛自行車前，請確認本產品有確實地安裝在實心柱子、樑或牆上，以避免對人和自行車造成損傷。5、如果您缺乏DIY技能安裝，請尋求專業幫助。

警告 (簡體中文) 1、请勿将本产品锁固在在没有支撑的墙壁、石膏板或装饰板上。2、砖块或水泥墙请使用6.5mm的钻头钻孔。3、安装时请避开电子电路、瓦斯、天然气或自来水的管线。4、吊挂自行车前，请确认本产品有确实地安装在实心柱子、梁或墙上，以避免对人和自行车造成损伤。5、如果您缺乏DIY技能安装，请寻求专业帮助。

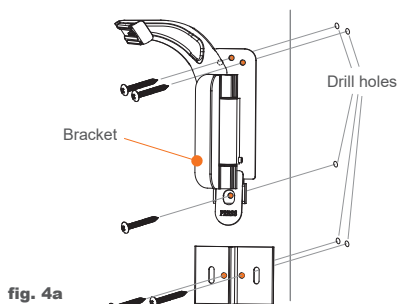
INSTRUCTIONS

Assemble Hanger

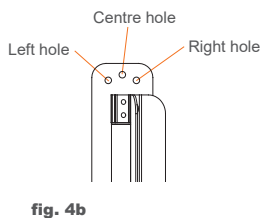


If tyre recess is not already facing towards the right, press release lever and swing rightwards until it locks in with a 'click.' With Allen bolt and washers, assemble rim hook to tyre recess (hook faces right). Tighten well (fig. 1, fig. 2).

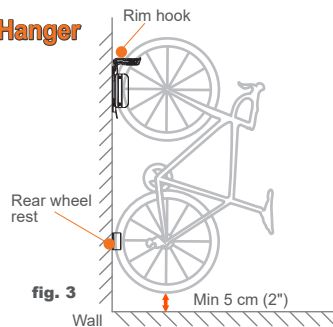
For Mounting on Drywall (plasterboard), or Wooden Panel Walls 石膏板或木板的支撐柱



Hanger must be mounted securely on a wall stud (one of the vertical lengths of timber behind the wall). Use a stud finder to locate stud, and mark its centreline with a pencil. Place the bracket on wall with stud centreline between the centre hole and right hole—do not use the left hole (fig. 4b). Mark 3 drill holes: centre, right and lower hole. Drill holes. Fasten bracket firmly with screws (fig. 4a).



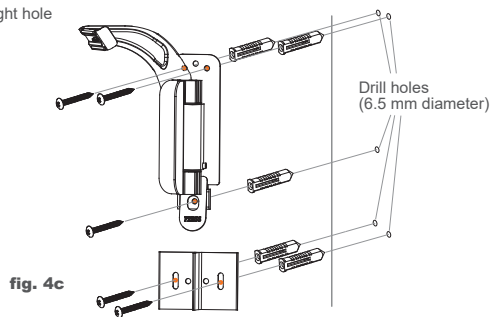
Mount Hanger



Mount Front Wheel Bracket

Mount hanger on a solid wall, or along wall stud (upright timber) of a plasterboard wall (drywall). Mount in a place where it is unlikely to cause obstruction, be knocked or bumped, or interfered with by young children. Determine correct height for hanger (rear tyre should sit at least 5 cm (2") off floor or ground), and make sure it is in a straight vertical position (fig. 3).

For Mounting on Masonry or Concrete Walls 磚塊或水泥牆



Mark 3 drill holes: left, right and lower hole—do not use the top centre hole (fig. 4b). Drill holes with a 6.5 mm (1/4") drill bit. Install 3 wall plugs with hammer after drilling holes, making sure they are firmly pressed in. Fasten bracket firmly with screws (fig. 4c).

For Mounting on Drywall (plasterboard), or Wooden Panel Walls 石膏板或木板的支撑柱

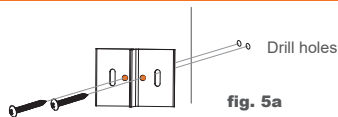


fig. 5a

For Mounting on Masonry or Concrete Walls 磚塊或水泥牆

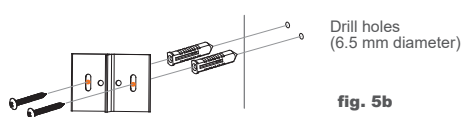


fig. 5b

Mount Rear Wheel Rest

With hanger installed securely, press release lever, and swing wheel holder left, locking in place. Lift bike, carefully placing front wheel rim behind hook, and tyre on recess, centred on rim pad. Mark a cross on the wall at the intersection between the rear wheel hub and the vertical centreline of front wheel bracket. Position the centre of rear wheel rest at the centre of your marked cross. Mark 2 drill holes: For Drywall, use inner holes (fig. 5a). For Masonry or Concrete Walls, use outer slots (fig. 5b). Drill holes and fix screws in place.

Hanging Up Bike

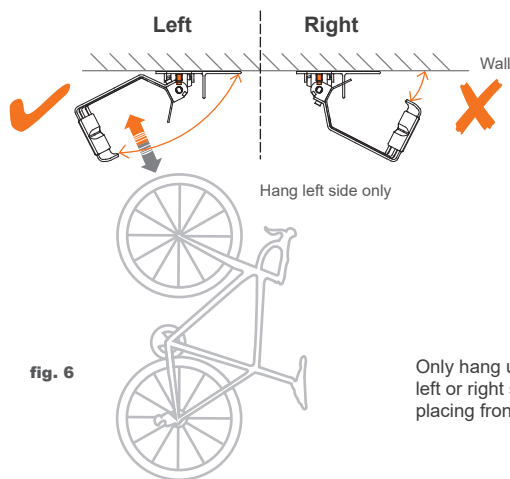


fig. 6

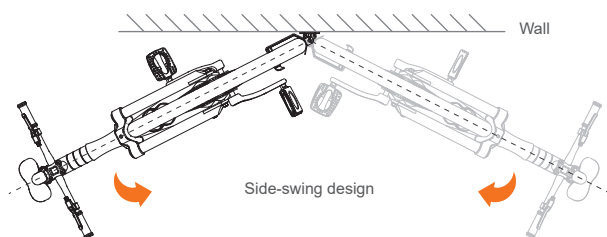


fig. 7

Only hang up or take down bike with hook facing left. (However, it can be stored on left or right side.) With wheel holder locked in place on left side, lift bike, carefully placing front wheel rim behind hook, and tyre on recess, centred on rim pad (fig. 6, 7).

Storing Bike

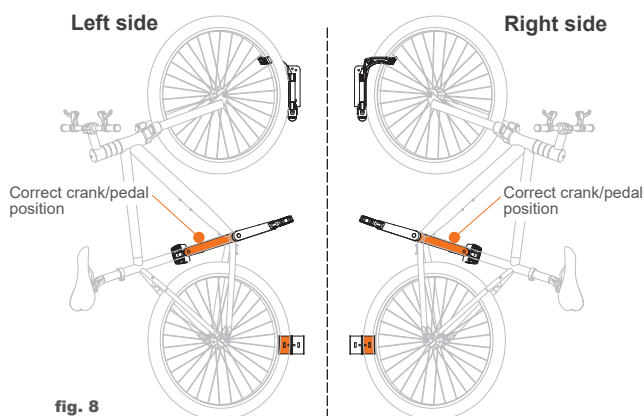


fig. 8

Left Side To store bike on left side, ensure left side crank/pedal is parallel with seat tube, facing bike saddle. Seat rear wheel on left side of wheel rest (fig. 8).

Right Side To store bike on right side, ensure right side crank/pedal is parallel with seat tube, facing bike saddle. Press release lever, and swing gently to the right until it locks in place. Move rear wheel to right side of wheel rest (fig. 8).

Warning

- Only hang up or take down bike with hook facing left. (However, it can be stored on left or right side.)
- If bike is properly hung, pedal should not touch wall, but if bike is swung too far or bumped, pedal might make contact with wall. To avoid wall damage, consider installing protection on the wall.
- After hanger is installed, it may not be compatible with other bikes.

Limited Warranty

Ibera warrants this product for normal usage against workmanship, and material defects to the original purchaser for two year from purchase date. Products purchased online are not covered by this warranty unless purchased from an authorised Ibera online store. 1. User assumes all risk of personal injury, damage to or failure of the product when it is used in jumping, acrobatics or similar activities. 2. Warranty does not cover any incidental or consequential damages, such as personal injury or other losses due to accident, neglect, misuse, abuse, modification, normal wear and tear, improper care and cleaning, or failure to follow included instructions.

See other Ibera products at www.ibera.info

Ibera Co. Ltd.
Specifications subject to change without notice. Ibera is a trademark of Ibera Co. Ltd. All other trademarks are property of their respective owners. Copyright Ibera Co. Ltd. Made in Taiwan. IB-ST17

Artwork: 04/20