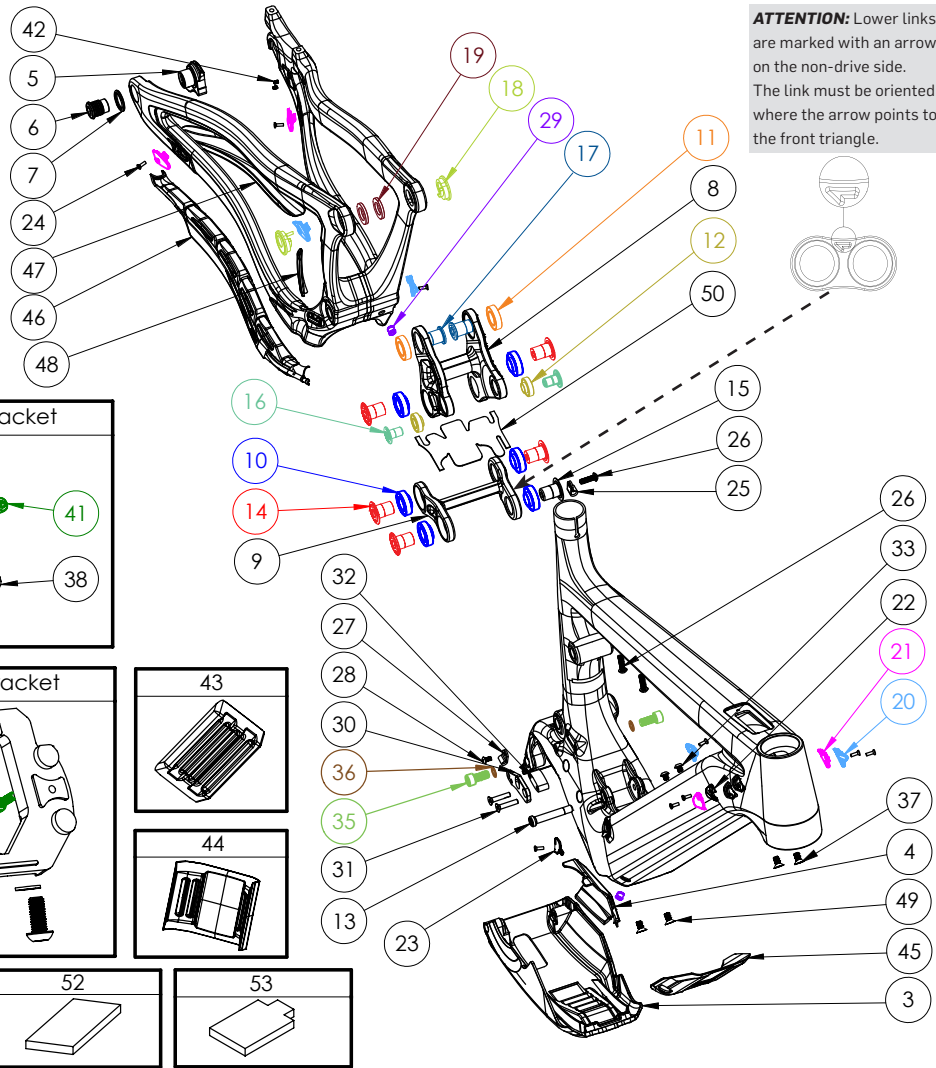
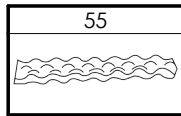
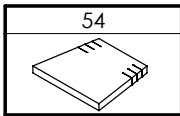
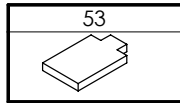
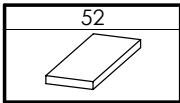
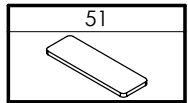
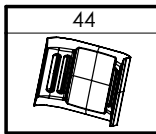
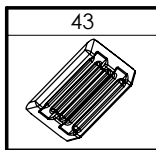
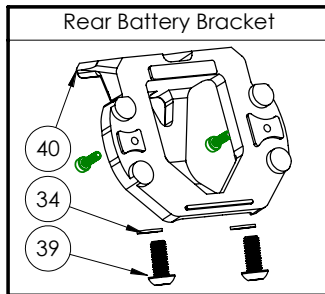
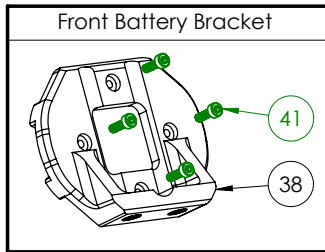


SHUTTLE LT BOSCH



ATTENTION: Lower links are marked with an arrow on the non-drive side. The link must be oriented where the arrow points to the front triangle.



NOT PICTURED	PART NUMBER	DESCRIPTION	TORQUE	*
-	157MM THROUGH AXLE V5	157MM UDH REAR AXLE	15 NM (11 LB-FT)	G
-	-	12MM AXLE WASHER (INCLUDED W/ AXLE)		G
-	EB11.200.OOP	M6 DRIVE UNIT MOUNTING BOLTS	10 NM (7 LB-FT)	L
-	1270.014.085/1270.016.119	CHAINRING LOCKRING AND O-RING	30 NM (22 LB-FT)	G

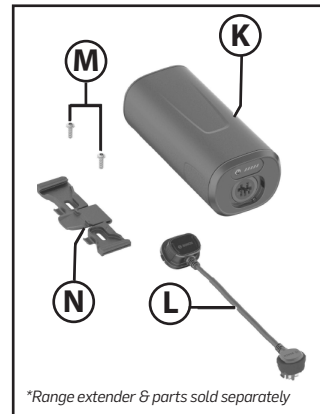
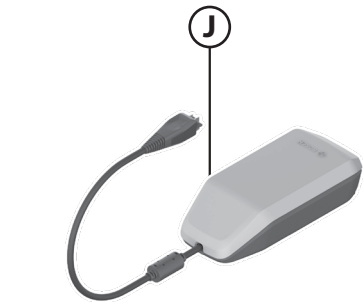
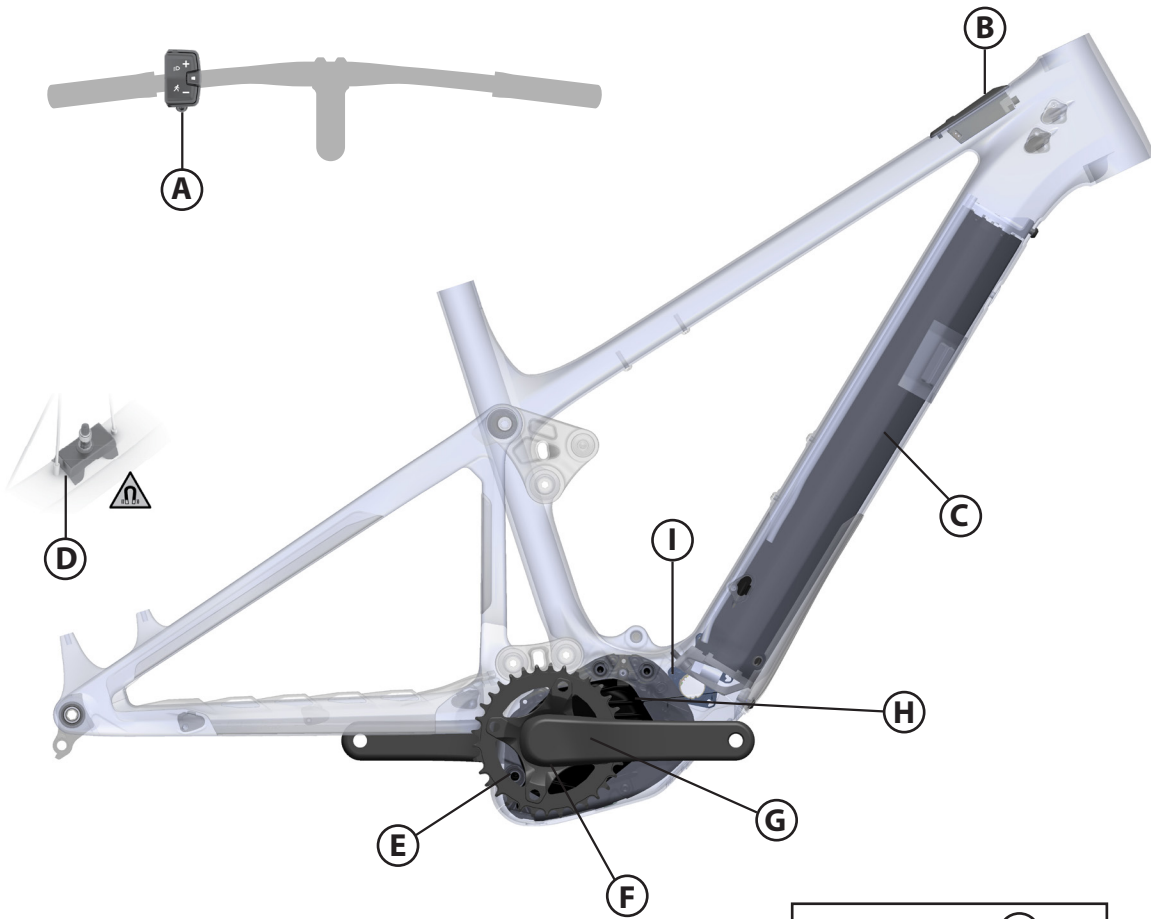


HARDWARE NUMBER	PART NUMBER	DESCRIPTION	TORQUE	*
3	FP-CVR-SLTV2-SKID-VI-RI	SHUTTLE V5 BOSCH SKID PLATE		
4	FP-PRO-SLTV2-WIRE-VI-RI	SHUTTLE V5 BOSCH MODULE COVER		
5	FP-UDH-TA-12MM-BLK-VI-RI	UNIVERSAL REAR DERAILLEUR HANGER		
6	-	UNIVERSAL REAR DERAILLEUR HANGER BOLT	25 NM (18 LB-FT)	
7	-	UNIVERSAL REAR DERAILLEUR HANGER WASHER		
8	FP-LNK-UL-84MM-V2-RI	84MM UPPER LINK		
9	FP-LNK-LL-50MM-V2-RI	50MM OUT-TO-OUT LOWER LINK V2		
10	FP-BRG-6902-LLUMAXEGN	28MM 6902 EXTENDED MAX-E BEARING		R
11	FP-BRG-6902-LLUMAX	28MM 6902 STANDARD MAX BEARING		R
12	FP-BRG-6900-LLUMAXE	22MM 6900 EXT'D MAX-E BEARING		R
13	FP-BLT-M8*45.7-BLK-V2	M8 FRONT SHOCK BOLT FOR 30.1MM SHOCK SPACING	13 NM (10 LB-FT)	G / L
14	FP-BLT-M14*20-BLK-V2-R2	M14X20 LINK BOLT	35 NM (27 LB-FT)	L
15	FP-BLT-M14*20-BLK-V4-RI	M14X20 LINK BOLT W/ INTERNAL THREADS	35 NM (27 LB-FT)	L
16	FP-BLT-M10*16.5-BLK-V1	M10 TRUNNION MOUNT BOLT	13 NM (10 LB-FT)	L
17	FP-BLT-M14*20-BLK-V3-R2	M14X20 FLIP CHIP BOLT	35 NM (27 LB-FT)	L
18	FP-NUT-FLIPCHIP-4.6MM-VI	4.6MM FLIP CHIP		
19	FP-WSH-SPC-151*250*3W	M14X3MM FLIP CHIP SPACER		G
20	FP-CLM-MECH-FRM-VI	INTERNAL ROUTING CABLE CLAMP		
21	FP-CVR-MECH-FRM-V2	INTERNAL ROUTING HOLE COVER		
22	FP-CLM-DUAL-FRM-VI	INTERNAL ROUTING DUAL CLAMP		
23	FP-CVR-MECH-FRM-V4	INTERNAL ROUTING CABLE PORT CAP (MIRRORED)		
24	FP-SCW-FLT-M3*10-BLK	CABLE PORT CLAMP SCREW BLACK		
25	FP-CLM-ADEL-4MM-VI-RI	4MM ADEL CLAMP FOR RD CABLE		
26	PIVOT WB BOLTS V2	M5 ADEL CLAMP BOLT / TOP TUBE TOOL BOLTS		
27	FP-CLM-ADEL-VI-RI	CABLE ROUTING ADEL CLAMP		
28	FP-SCW-BTN-M4*8-VI-RI-BLK	M4X8 BUTTON HEAD SCREW BLACK		
29	FP-PLG-D12-7*8*5	7X8MM D12 PLUG EXT'D		
30	FP-MNT-CG-V3	CHAIN GUIDE MOUNTING PLATE		
31	FP-SCW-FLT-M5*25-VI-RI-BLK	M5X25 FLAT HEAD SCREW BLACK	5 NM (3.7 LB-FT)	L
32	FP-SPC-GDE-VI-RI	SHTLV5-B CG SPACER		
33	FP-BLT-BTN-M5*6-VI-RI	M5X6 DT WATER BOTTLE BOLTS	3 NM (26 IN-LB)	L
34	FP-WSH-61*100*1W	M6 WASHER		
35	FP-SCW-SCK-M8*18-RI-BLK	M8X18 SOCKET HEAD SCREW BLACK	20 NM (14.75 LB-FT)	L
36	FP-WSH-81*120*1W-BLK	M8 WASHER BLACK		
37	FP-SCW-FLT-M6*12-BLK	M6*12 FLAT HEAD SCREW BLACK	10 NM (7 LB-FT)	L
38	FP-MNT-FRNT-BATT-SLTV2-VI-RI	FRONT BATTERY BRACKET		
39	FP-SCW-BTN-M6*14-BLK-VI-RI	REAR BATTERY BRACKET MOUNTING BOLTS	6 NM (4.4 LB-FT)	L
40	FP-MNT-REAR-BATT-SLTV2-VI-RI	REAR BATTERY BRACKET	6 NM (4.4 LB-FT)	L
41	FP-BLT-SCK-M3*10-VI-RI	BATTERY MOUNTING BOLTS	2 NM (17.7 IN-LB)	Y
42	FP-BLT-SCK-M3*5-VI-RI M3*5	M3X5 SET SCREW		Y
43	FP-BATT-PAD-60*70-VI-RI	UPPER BATTERY PAD		
44	FP-BATT-PAD-LWR-87.3MM-VI-RI	LOWER BATTERY PAD		
45	FP-PRO-SLTV2-DT-VI-RI	SHTLV5 BOSCH DOWNTUBE PROTECTOR		
46	FP-PRO-SHTV5-GS-VI-RI	SHTLV5 CHAINSTAY PROTECTOR		
47	FP-PRO-SHTV5-SS-VI-RI	SHTLV5 SEATSTAY PROTECTOR		
48	FP-PRO-SHTV5-UR-VI-RI	SHTLV5 UPRIGHT PROTECTOR		
49	FP-SCW-FLT-M6*12-BLK	M6*12 FLAT HEAD SCREW BLACK	1.5 NM (13 IN-LB)	
50	FP-PRO-LL-50MM-V2-RI	LOWER LINK PROTECTOR		
51	FP-PRO-BATT-CABLE-PAD-VI-RI	BOSCH BATTERY CABLE PAD		
52	FP-PRO-SOUND-10*60*160-VI-RI	TT AND DT FOAM 160X160 (SM/MD/LG/XL)		
53	FP-PRO-SOUND-10*55*90-VI-RI	BB/DT FOAM 55X90 TARGET (SM/MD/LG/XL)		
54	FP-PRO-SOUND-10*65*110-VI-RI	HT FOAM IN FRONT OF CABLE PORTS 80-110X95 (SM/MD/LG/XL)		
55	FP-PRO-SOUND-30*48*330-VI-RI	TT FOAM 30X48X330 (SM/MD/LG/XL)		

BIKE CARE *	PRODUCT TYPE	RECOMMENDED PRODUCT
G	GREASE	MOTOREX BIKE GREASE 2000
L	THREAD LOCKER**	LOCTITE THREAD LOCKER #243 (OR EQUIVALENT)
G/L	GREASE (BOLT SHAFT) / THREAD LOCKER (BOLT THREADS)	SEE ABOVE
A	ANTI-SEIZE	MOTOREX COPPER PASTE
Y	LIGHT DUTY THREAD LOCKER	LOCTITE THREAD LOCKER #222 (OR EQUIVALENT)
R	RETAINING COMPOUND	LOCTITE RETAINING COMPOUND #620 (OR EQUIVALENT)

**THREADLOCKER SHOULD ALWAYS BE APPLIED TO THE CORRESPONDING FEMALE THREADS FOR THE BOLT SPECIFIED

SHUTTLE LT BOSCH SYSTEM PARTS



*Range extender & parts sold separately

PARTS & COMPONENTS				
LETTER	PART DESCRIPTION	PART NAME	TORQUE	*
A	MINI REMOTE	EBI3.100.001		
B	SYSTEM CONTROLLER	EBI3.100.000		
	1300MM HMI CABLE	EBI2.120.006		
	SCREW FOR SYSTEM CONTROLLER	EBI3.200.03B		
C	POWERTUBE 750 BATTERY (US, CAN, JP, KOR)	EBI2.100.00Z		
	POWERTUBE 750 BATTERY (EU28, CH, NO, AUS, NZ)	EBI2.100.00X		
D	RIM MAGNET/ SLEEVE (SPEED SENSOR)	EBI1.200.015/ EBI1.200.02S		
E	SPIDER & CHAINRING (RIDE BUILDS)	ES-BSC-104-565-34T		
	SPIDER & CHAINRING (PRO BUILDS)	ES-BSC-104-565/ 00.6218.034.003		
	SPIDER & CHAINRING (TEAM BUILDS)	ES-BSC-104-565/ 00.6218.034.003		
F	DRIVE UNIT LOCKRING & O-RING	I270.014.085/ I270.016.119	30 NM (22 LB-FT)	
G	CRANK ARMS (RIDE BUILDS)	EC-ISIS-160A		
	CRANK ARMS (PRO BUILDS)	EC-ISIS-160A		
	CRANK ARMS (TEAM BUILDS)	EC-ISIS-160CM		
H	CX PERFORMANCE RACE EDITION DRIVE UNIT	EBI1.100.00G		
I	CHARGING SOCKET & CABLE	EBI2.120.048		
	CHARGING SOCKET COVER	EBI2.120.01B		
	CHARGING SOCKET HOLDER	EBI2.120.01A		
	CHARGING SOCKET O-RING 24X2	EBI2.120.019		
	CHARGING SOCKET SCREW M3X14	F04N.002.663		
J	BATTERY CHARGER 4A/10V/CABLE (US)	EBI2.110.000/ I270.020.343		
	BATTERY CHARGER 4A 230V/CABLE(EU)	EBI2.110.001/ I270.020.330		
	BATTERY CHARGER 4A 230V/CABLE(AUS)	EBI2.110.001/ I270.020.344		
	BATTERY CHARGER 4A 230V/CABLE(UK)	EBI2.110.001/ I270.020.331		
	POWERMORE 250 KITS (AVAILABLE FROM PIVOT)	BOSCH RANGE EXTENDER 150MM / BOSCH RANGE EXTENDER 250MM		
K	POWERMORE 250 RANGE EXTENDER BATTERY (NA/EU)	EBI2.100.02T/ EBI2.100.02S		
L	POWERMORE CABLE 150MM	EBI2.120.036		
	POWERMORE CABLE 250MM	EBI2.120.08J		
	POWERMORE CABLE 300MM	EBI2.120.07C		
M	M5X8 BRACKET FASTENING SCREWS	FP-SCW-BTN-FLG-M5*0.80*8MM	3 NM (2.6 IN-LB)	
N	BRACKET FOR POWERMORE	EBI2.110.01A		

NOT PICTURED	PART DESCRIPTION	PART NAME	TORQUE	*
-	M6 DRIVE UNIT MOUNTING BOLTS	EBI1.200.00P	10 NM (7 LB-FT)	L
-	DRIVE UNIT CONNECTION SHORT PLATE LEFT	EBI1.200.00U		
-	DRIVE UNIT CONNECTION SHORT PLATE RIGHT	EBI1.200.00S		
-	BATTERY ADAPTER 2 (2 PLUG IN LOCATION FOR BATTERY CABLE)	EBI2.100.015		
-	BATTERY CABLE 500MM	EBI2.120.00V		
-	LOGO BEZEL FOR PERFORMANCE CX RACE EDITION DRIVE UNIT	EBI1.200.01B		