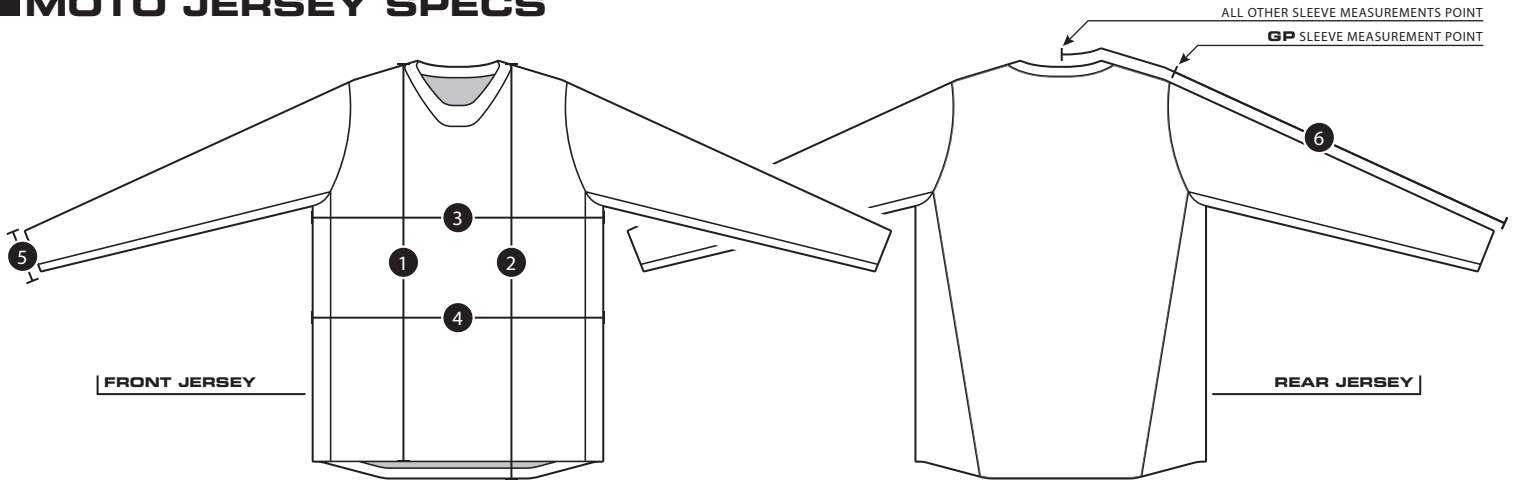


MOTO JERSEY SPECS



YOUTH GP/GP AIR JERSEY

		Units: CM				
Point of measure		XS	S	M	L	XL
1	Center front from HPS (High Point Shoulder)	53.3	55.9	58.4	61	63.5
2	Center back from HPS (High Point Shoulder)	58.4	61	63.5	66	68.6
3	Chest (1" below armhole)	36.8	40.6	44.5	48.3	52.1
4	Waist (8" below armhole)	35.6	39.4	43.2	47	50.8
5	Sleeve opening	7.9	8.3	8.6	8.9	9.2
6	Sleeve length	61.9	67	72.1	78.4	81.6

GP/GP AIR JERSEY

		Units: CM					
Point of measure		S	M	L	XL	XXL	XXXL
1	Center front from HPS (High Point Shoulder)	72.4	74.3	76.2	78.1	80	81.9
2	Center back from HPS (High Point Shoulder)	77.5	79.4	81.3	83.2	85.1	87
3	Chest (1" below armhole)	50.8	54.6	58.4	62.2	67.3	72.4
4	Waist (8" below armhole)	50.8	54.6	58.4	62.2	67.3	72.4
5	Sleeve opening	9.5	10.2	10.8	11.4	12.1	12.1
6	Sleeve length (center back neck to sleeve opening)	85.1	87.6	90.2	92.7	95.3	97.8

SE PRO / AIR JERSEY

		Units: CM				
Point of measure		S	M	L	XL	XXL
1	Center front from HPS (High Point Shoulder)	72.4	74.3	76.2	78.1	80
2	Center back from HPS (High Point Shoulder)	76.8	78.7	80.6	82.6	84.5
3	Chest (1" below armhole)	50.8	54.6	58.4	62.2	67.3
4	Waist	50.8	54.6	58.4	62.2	67.3
5	Sleeve opening	9.5	10.2	10.8	11.4	12.1
6	Sleeve length (center back neck to sleeve opening)	85.1	87.6	90.2	92.7	95.3

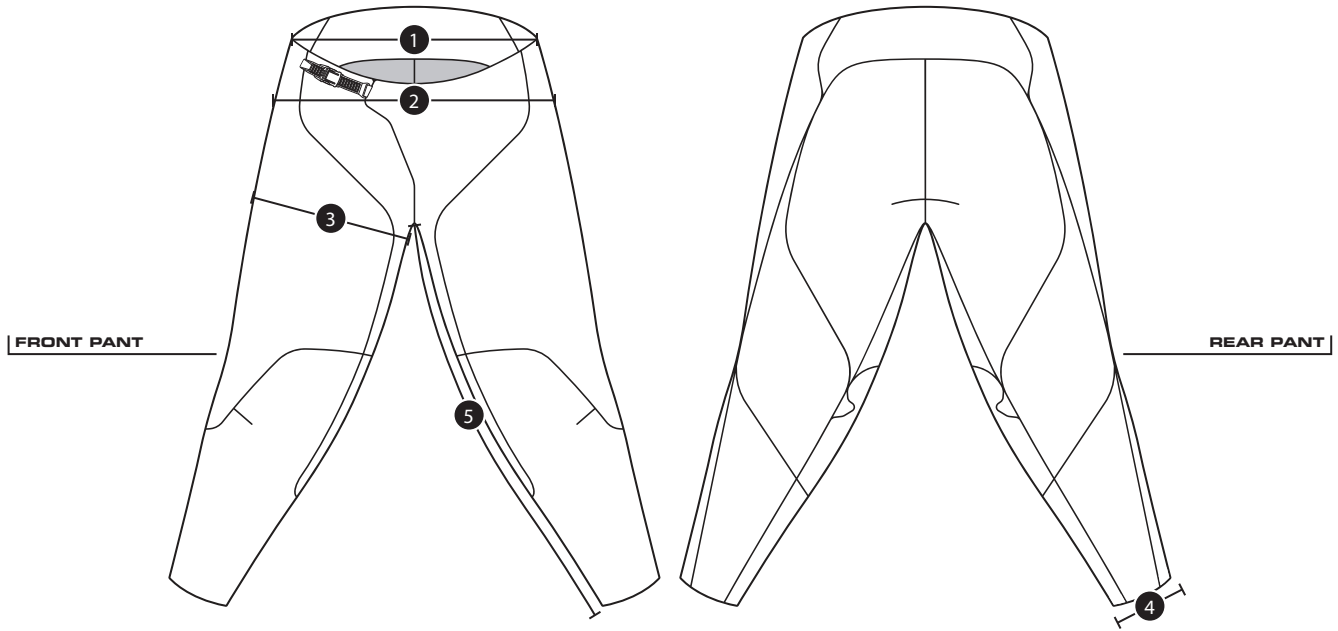
SE ULTRA JERSEY

		Units: CM				
Point of measure		S	M	L	XL	XXL
1	Center front from HPS (High Point Shoulder)	72.4	74.3	76.2	78.1	80
2	Center back from HPS (High Point Shoulder)	76.8	78.7	80.6	82.6	84.5
3	Chest (1" below armhole)	49.5	53.3	57.2	61	66
4	Waist (8" below armhole)	49.5	53.3	57.2	61	66
5	Sleeve opening	9.5	10.2	10.8	11.4	12.1
6	Sleeve length (center back neck to sleeve opening)	85.1	87.6	90.2	92.7	95.3

WMS GP JERSEY

		Units: CM					
Point of measure		XS	S	M	L	XL	XXL
1	Center front from HPS (High Point Shoulder)	67.3	69.2	71.1	73	74.9	76.8
2	Center back from HPS (High Point Shoulder)	71.1	73	74.9	76.8	78.7	80.6
3	Chest (1" below armhole)	40.6	44.5	48.3	52.1	55.9	59.7
4	Waist (7" below armhole)	38.1	41.9	45.7	49.5	53.3	57.2
5	Sleeve opening	8.9	9.5	10.2	10.8	11.4	12.1
6	Sleeve length (top of armhole to sleeve opening)	58.4	60.3	62.2	64.1	66	67.9

MOTO PANT SPECS



YOUTH GP/GP AIR PANT

Units: CM

Point of measure	18	20	22	24	26	28
1 Waist (half measurement)	24.1	26.7	29.2	31.8	34.3	36.8
2 Hip (4" up from inseam, half measurement)	37.5	40	42.5	45.1	47.6	50.2
3 Thigh (1" down from crotch)	19.1	20.3	21.6	22.9	24.1	25.4
4 Leg opening	11.7	12.4	13	13.7	14.3	14.9
5 Inseam	48.6	51.4	54.3	57.2	60	62.9

GP/GP AIR PANT

Units: CM

Point of measure	28	30	32	34	36	38	40	42	44
1 Waist (half measurement)	35.6	38.1	40.6	43.2	45.7	48.3	50.8	53.3	55.9
2 Hip (4" up from inseam, half measurement)	50.8	53.3	55.9	58.4	61	63.5	66	68.6	71.1
3 Thigh (1" down from crotch)	29.8	31.1	32.4	33.7	34.9	36.2	37.5	38.7	40
4 Leg opening	14	14.6	15.2	15.9	16.5	17.1	17.8	18.4	19.1
5 Inseam	72.4	74.9	74.9	74.9	77.5	77.5	77.5	77.5	77.5

SE ULTRA PANT

Units: CM

Point of measure	28	30	32	34	36	38	40	42	44
1 Waist (half measurement)	38.7	41.3	43.8	46.4	48.9	51.4	54	56.5	59.1
2 Hip (4" up from inseam, half measurement)	48.3	50.8	53.3	55.9	58.4	61	63.5	66	68.6
3 Thigh (1" down from crotch)	29.2	30.5	31.8	33	34.3	35.6	36.8	38.1	39.4
4 Leg opening	11.4	12.7	13.3	14.6	15.2	16.5	17.8	18.4	19.7
5 Inseam	73.7	73.7	73.7	73.7	73.7	73.7	73.7	73.7	73.7

SE PRO PANT

Units: CM

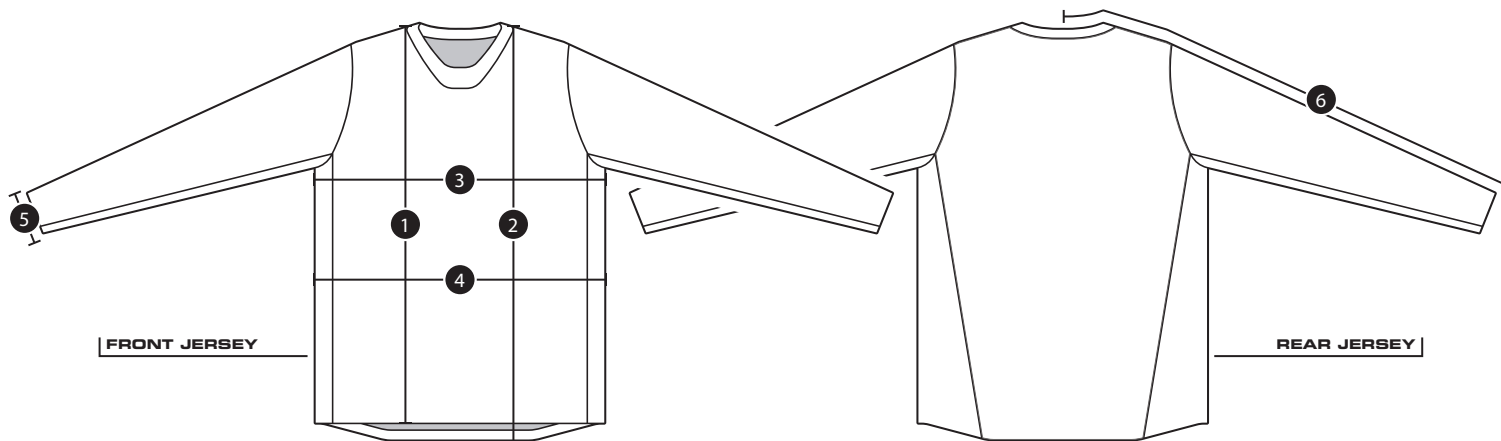
Point of measure	28	30	32	34	36	38	40	42	44
1 Waist (half measurement)	36.2	38.7	41.3	43.8	46.4	48.9	51.4	54	56.4
2 Hip (4" up from inseam, half measurement)	50.8	53.3	55.9	58.4	61	63.5	66	68.6	71.1
3 Thigh (1" down from crotch)	29.2	30.5	31.8	33	34.3	35.6	36.8	38.1	39.4
4 Leg opening	14	14.6	15.2	15.9	16.5	17.1	17.8	18.4	19.1
5 Inseam	73.7	73.7	73.7	73.7	73.7	73.7	73.7	73.7	73.7

WMS GP PANT

Units: CM

Point of measure	2	4	6	8	10	12	14	16
1 Waist (half measurement)	31.8	34.3	36.8	39.4	41.9	44.5	48.3	52.1
2 Hip (3" down from waistband, half measurement)	40.6	43.2	45.7	48.3	50.8	53.3	57.2	61
3 Thigh (1" down from crotch)	30.5	31.8	33	34.3	35.6	36.8	39.4	41.9
4 Leg opening	11.4	12.1	12.7	13.3	14	14.6	15.2	15.9
5 Inseam	74.9	74.9	74.9	74.9	74.9	74.9	74.9	74.9

MTB JERSEY L / S SPECS



YOUTH SPRINT L/S JERSEY

		Units: CM				
Point of measure		XS	S	M	L	XL
1	Center front from HPS (High Point Shoulder)	49.5	52.1	54.6	57.2	59.7
2	Center back from HPS (High Point Shoulder)	54.6	57.2	59.7	62.2	64.8
3	Chest (1" below armhole)	35.6	38.1	40.6	43.2	45.7
4	Waist (8" below armhole)	35.6	38.1	40.6	43.2	45.7
5	Sleeve opening	7	7.6	8.3	8.9	9.5
6	Sleeve length (center back neck to sleeve opening)	61	63.5	66	68.6	71.1

YOUTH FLOWLINE L/S JERSEY

		Units: CM				
Point of measure		S	M	L	XL	XXL
1	Center front from HPS (High Point Shoulder)	49.5	52.1	54.6	57.2	59.7
2	Center back from HPS (High Point Shoulder)	54.6	57.2	59.7	62.2	64.8
3	Chest (1" below armhole)	35.6	38.1	40.6	43.2	45.7
4	Waist (8" below armhole)	35.6	38.1	40.6	43.2	45.7
5	Sleeve opening	7	7.6	8.3	8.9	9.5
6	Sleeve length (center back neck to sleeve opening)	61	63.5	66	68.6	71.1

SPRINT JERSEY

		Units: CM				
Point of measure		S	M	L	XL	XXL
1	Center front from HPS (High Point Shoulder)	69.9	71.8	73.7	75.6	75.6
2	Center back from HPS (High Point Shoulder)	76.2	78.1	80	81.9	81.9
3	Chest (1" below armhole)	50.8	54.6	58.4	62.2	67.3
4	Waist (8" below armhole)	50.2	54	57.8	61.6	66.7
5	Sleeve opening	9.5	10.2	10.8	11.4	12.1
6	Sleeve length (center back neck to sleeve opening)	85.1	87.6	90.2	92.7	95.3

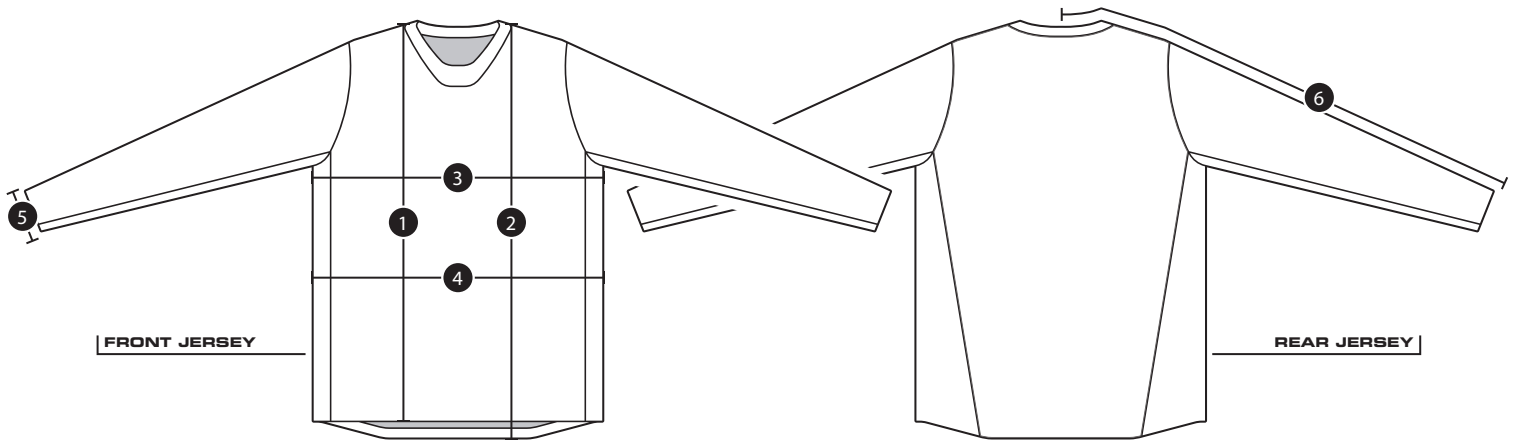
SKYLINE/SKYLINE AIR / SKYLINE CHILL L/S JERSEY

		Units: CM				
Point of measure		S	M	L	XL	XXL
1	Center front from HPS (High Point Shoulder)	69.9	71.8	73.7	75.6	75.6
2	Center back from HPS (High Point Shoulder)	76.2	78.1	80	81.9	81.9
3	Chest (1" below armhole)	49.5	53.3	57.2	61	66
4	Waist (8" below armhole)	48.9	52.7	56.5	60.3	65.4
5	Sleeve opening	9.5	10.2	10.8	11.4	12.1
6	Sleeve length (center back neck to sleeve opening)	85.1	87.6	90.2	92.7	95.3

RUCKUS JERSEY

		Units: CM				
Point of measure		S	M	L	XL	XXL
1	Center front from HPS (High Point Shoulder)	69.9	71.8	73.7	75.6	75.6
2	Center back from HPS (High Point Shoulder)	77.5	79.4	81.3	83.2	83.2
3	Chest (1" below armhole)	49.5	53.3	57.2	61	66
4	Waist (8" below armhole)	48.9	52.7	56.5	60.3	65.4
5	Sleeve opening	13.3	14	14.6	15.2	15.9
6	Sleeve length (center back neck to sleeve opening)	69.2	71.1	73	74.9	76.8

MTB JERSEY L / S SPECS (cont.)



SPRINT ULTRA JERSEY

Units: CM

Point of measure

	S	M	L	XL	XXL
1 Center front from HPS (High Point Shoulder)	69.9	71.8	73.7	75.6	75.6
2 Center back from HPS (High Point Shoulder)	76.2	78.1	80	81.9	81.9
3 Chest (1" below armhole)	50.8	54.6	58.4	62.2	67.3
4 Waist (8" below armhole)	50.2	54	57.8	61.6	66.7
5 Sleeve opening	9.5	10.2	10.8	11.4	12.1
6 Sleeve length (center back neck to sleeve opening)	86.4	88.9	91.4	94	96.5

FLOWLINE L/S JERSEY

Units: CM

Point of measure

	S	M	L	XL	XXL
1 Center front from HPS (High Point Shoulder)	69.9	71.8	73.7	75.6	77.5
2 Center back from HPS (High Point Shoulder)	74.3	76.2	78.1	80	81.9
3 Chest (1" below armhole)	50.8	54.6	58.4	62.2	64.8
4 Waist (8" below armhole)	48.3	52.1	55.9	59.7	64.8
5 Sleeve opening	9.5	10.2	10.8	11.4	12.1
6 Sleeve length (center back neck to sleeve opening)	85.7	88.3	90.8	93.3	95.9

DRIFT L/S JERSEY

Units: CM

Point of measure

	S	M	L	XL	XXL
1 Center front from HPS (High Point Shoulder)	68.6	70.5	72.4	74.3	76.2
2 Center back from HPS (High Point Shoulder)	73.7	75.6	77.5	79.4	81.3
3 Chest (1" below armhole)	48.3	52.1	55.9	59.7	63.5
4 Waist (8" below armhole)	47	50.8	54.6	58.4	62.2
5 Sleeve opening	9.5	10.2	10.8	11.4	12.1
6 Sleeve length (center back neck to sleeve opening)	82.6	85.1	87.6	90.2	92.7

WOMEN'S LILIUM L/S JERSEY

Units: CM

Point of measure

	XS	S	M	L	XL
1 Center front from HPS (High Point Shoulder)	59.7	61.6	63.5	65.4	66.7
2 Center back from HPS (High Point Shoulder)	67.3	69.2	71.1	73	74.3
3 Chest (1" below armhole)	40	43.8	47.6	51.4	55.2
4 Waist (8" below armhole)	37.5	41.3	45.1	48.9	52.7
5 Sleeve opening	8.9	9.5	10.2	10.8	11.4
6 Sleeve length (center back neck to sleeve opening)	61	62.9	63.5	65.4	67.3

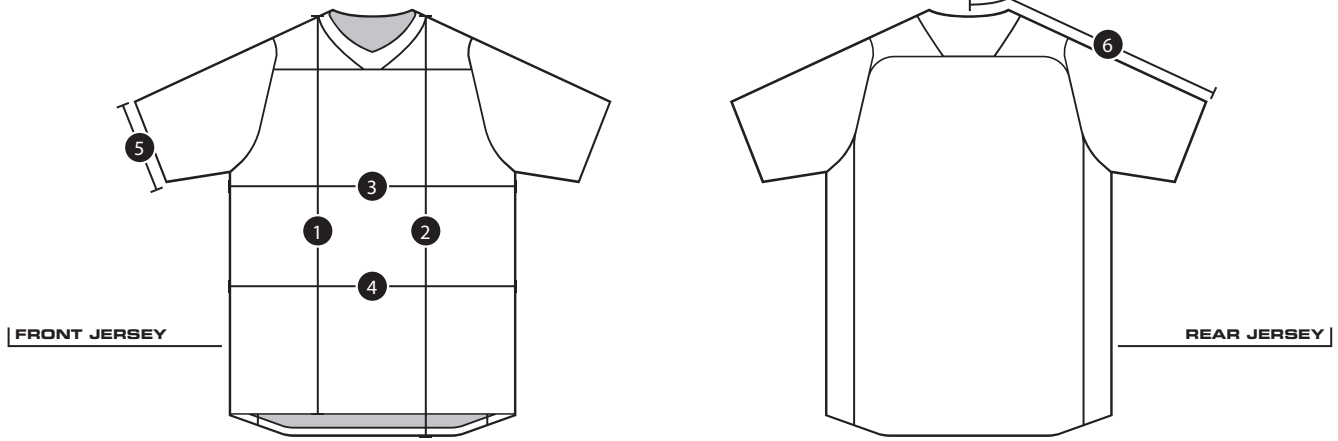
WOMEN'S MISCHIEF JERSEY

Units: CM

Point of measure

	XS	S	M	L	XL
1 Center front from HPS (High Point Shoulder)	66	67.9	69.9	71.8	73
2 Center back from HPS (High Point Shoulder)	69.9	71.8	73.7	75.6	76.8
3 Chest (1" below armhole)	40.6	44.5	48.3	52.1	55.9
4 Waist (8" below armhole)	39.4	43.2	47	50.8	54.6
5 Sleeve opening	12.7	13.3	14	14.6	15.2
6 Sleeve length (center back neck to sleeve opening)	39.4	41.3	43.2	45.1	47

MTB JERSEY S / S SPECS



YOUTH SKYLINE S/S JERSEY

		Units: CM				
Point of measure		XS	S	M	L	XL
1	Center front from HPS (High Point Shoulder)	49.5	52.1	54.6	57.2	59.7
2	Center back from HPS (High Point Shoulder)	53.3	55.9	58.4	61	63.5
3	Chest (1" below armhole)	35.6	38.1	40.6	43.2	45.7
4	Waist (8" below armhole)	35.6	38.1	40.6	43.2	45.7
5	Sleeve opening	10.2	11.4	12.7	14	15.2
6	Sleeve length (center back neck to sleeve opening)	30.5	33	35.6	38.1	40.6

YOUTH FLOWLINE S/S JERSEY

		Units: CM				
Point of measure		XS	S	M	L	XL
1	Center front from HPS (High Point Shoulder)	49.5	52.1	54.6	57.2	59.7
2	Center back from HPS (High Point Shoulder)	54.6	57.2	59.7	62.2	64.8
3	Chest (1" below armhole)	35.6	38.1	40.6	43.2	45.7
4	Waist (8" below armhole)	35.6	38.1	40.6	43.2	45.7
5	Sleeve opening	10.2	11.4	12.7	14	15.2
6	Sleeve length (center back neck to sleeve opening)	30.5	33	35.6	38.1	40.6

SKYLINE/SKYLINE AIR S/S JERSEY

		Units: CM				
Point of measure		S	M	L	XL	XXL
1	Center front from HPS (High Point Shoulder)	69.9	71.8	73.7	75.6	77.5
2	Center back from HPS (High Point Shoulder)	74.3	76.2	78.1	80	81.9
3	Chest (1" below armhole)	49.5	53.3	57.2	61	66
4	Waist (8" below armhole)	48.9	52.7	56.5	60.3	65.4
5	Sleeve opening	15.2	15.9	16.5	17.1	17.8
6	Sleeve length (center back neck to sleeve opening)	46.4	47.6	49.5	50.8	53

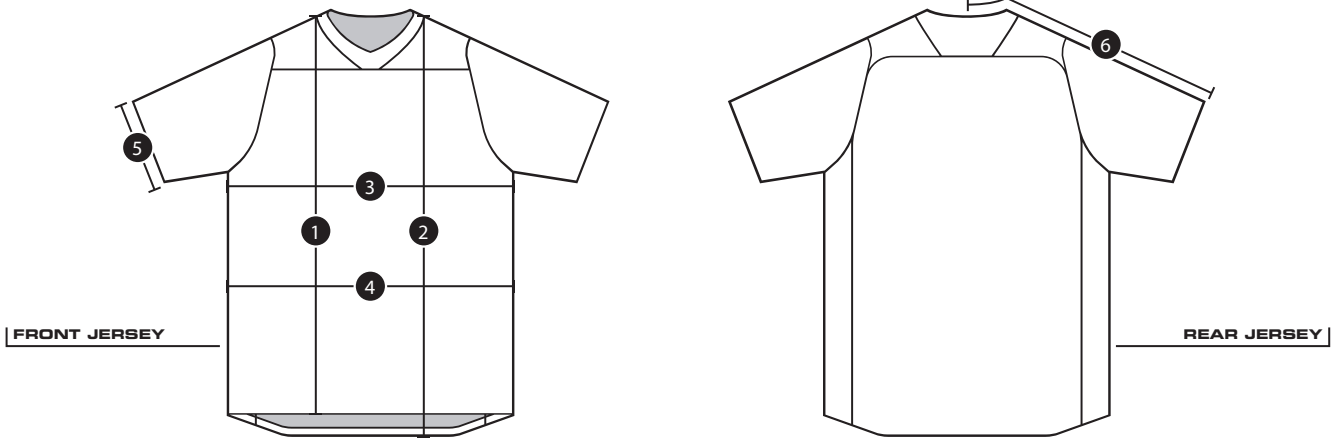
FLOWLINE S/S JERSEY

		Units: CM				
Point of measure		S	M	L	XL	XL
1	Center front from HPS (High Point Shoulder)	69.9	71.8	73.7	75.6	77.5
2	Center back from HPS (High Point Shoulder)	74.3	76.2	78.1	80	81.9
3	Chest (1" below armhole)	50.8	54.6	58.4	62.2	67.3
4	Waist (8" below armhole)	48.3	52.1	55.9	59.7	64.8
5	Sleeve opening	15.2	15.9	16.5	17.1	17.8
6	Sleeve length (center back neck to sleeve opening)	46.4	47.6	49.5	50.8	53

DRIFT S/S JERSEY

		Units: CM				
Point of measure		S	M	L	XL	XL
1	Center front from HPS (High Point Shoulder)	68.6	70.5	72.4	74.3	76.2
2	Center back from HPS (High Point Shoulder)	73.7	75.6	77.5	79.4	81.3
3	Chest (1" below armhole)	48.3	52.1	55.9	59.7	63.5
4	Waist (8" below armhole)	47	50.8	54.6	58.4	62.2
5	Sleeve opening	15.2	17.1	19.1	21	22.9
6	Sleeve length (center back neck to sleeve opening)	46.4	47.6	48.9	50.2	51.4

MTB JERSEY S / S SPECS (cont.)



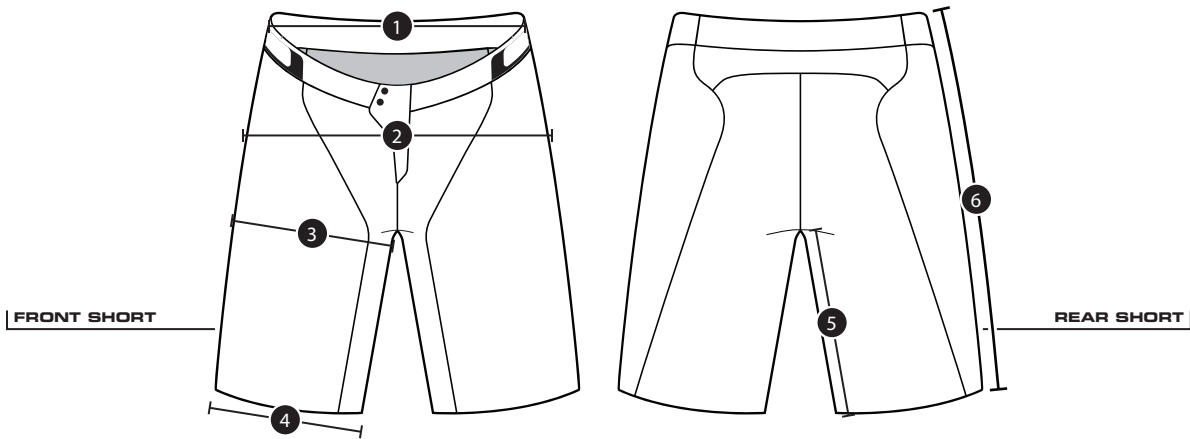
WOMEN'S LILIUM S/S JERSEY

Units: CM

Point of measure

		XS	S	M	L	XL
1	Center front from HPS (High Point Shoulder)	59.7	61.6	63.5	65.4	66.7
2	Center back from HPS (High Point Shoulder)	67.3	69.2	71.1	73	74.3
3	Chest (1" below armhole)	40	43.8	47.6	51.4	55.2
4	Waist (8" below armhole)	37.5	41.3	45.1	48.9	52.7
5	Sleeve opening	13.3	14	14.6	15.2	15.9
6	Sleeve length (center back neck to sleeve opening)	11.4	13.3	15.2	17.1	19.1

MTB SHORT SPECS



YOUTH SKYLINE SHORT

Point of measure	Units: CM	22	24	26	28
1 Waist (half measurement)		27.9	30.5	33	35.6
2 Hip (4" up from inseam, half measurement)		35.6	38.1	40.6	43.2
3 Thigh (1" down from crotch)		24.1	25.4	26.7	27.9
4 Leg opening		19.1	20.3	21.6	22.9
5 Inseam		24.1	24.1	24.8	24.8
6 Outseam		40.6	41.9	43.2	44.5

YOUTH SPRINT SHORT

Point of measure	Units: CM	18	20	22	24	26	28
1 Waist (half measurement)		24.1	26.7	29.2	31.8	34.3	36.8
2 Hip (4" up from inseam, half measurement)		37.1	39.7	42.2	44.8	47.3	49.8
3 Thigh (1" down from crotch)		21	22.2	23.5	24.8	26	27.3
4 Leg opening		18.4	19.1	19.7	20.3	21	21.6
5 Inseam		20.3	20.3	22.9	24.1	24.1	25.4
6 Outseam		39.4	40.6	41.9	43.2	44.5	45.7

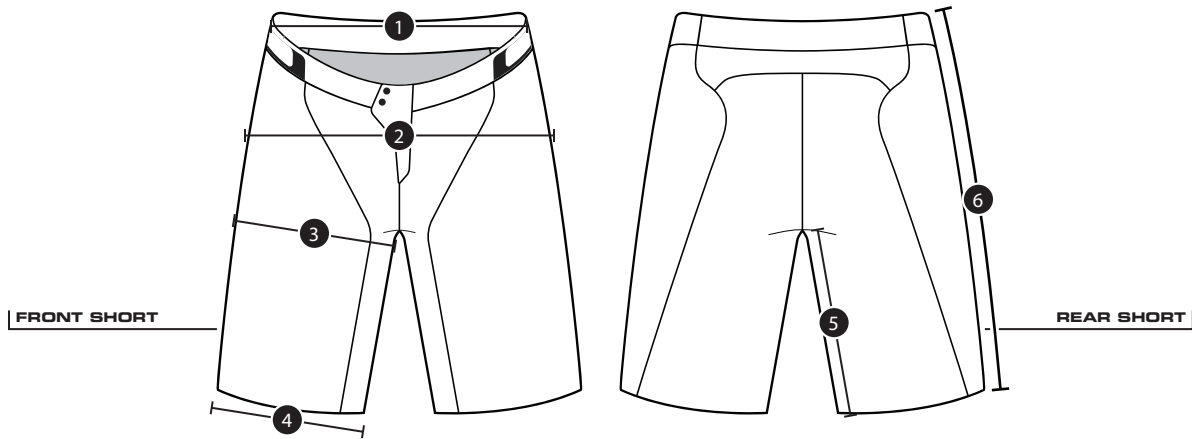
FLOWLINE SHORT

Point of measure	Units: CM	28	30	32	34	36	38	40
1 Waist (half measurement)		38.7	41.3	43.8	46.4	48.9	51.4	54
2 Hip (4" up from inseam, half measurement)		48.3	50.8	53.3	55.9	58.4	61	63.5
3 Thigh (1" down from crotch)		32.1	33.3	34.6	35.9	37.1	38.4	39.7
4 Leg opening		24.4	25.1	25.7	26.4	27	27.6	28.3
5 Inseam		33	33	33	33.7	33.7	33.7	33.7
6 Outseam		53.7	54.6	54.6	54.6	55.6	56.5	56.5

DRIFT SHORT

Point of measure	Units: CM	28	30	32	34	36	38
1 Waist (half measurement)		37.1	39.7	42.2	44.8	47.3	49.8
2 Hip (4" up from inseam, half measurement)		48.3	50.8	53.3	55.9	58.4	61
3 Thigh (1" down from crotch)		29.5	30.8	32.1	33.3	34.6	35.9
4 Leg opening		24.4	25.4	26.4	27.3	28.3	29.2
5 Inseam		29.5	29.5	29.5	29.5	29.5	30.2
6 Outseam		51.4	52.7	54	55.2	56.5	58.4

MTB SHORT SPECS (cont.)



MOTO SHORT

		Units: CM						
Point of measure		28	30	32	34	36	38	40
1	Waist (half measurement)	39.4	41.9	44.5	47	49.5	52.1	54.6
2	Hip (4" up from inseam, half measurement)	50.2	52.7	55.2	57.8	60.3	62.9	65.4
3	Thigh (1" down from crotch)	32.4	33.7	34.9	36.2	37.5	38.7	40
4	Leg opening	23.5	24.8	26	26.7	27.3	28.6	29.8
5	Inseam	36.8	36.8	36.8	36.8	36.8	36.8	38.8
6	Outseam	59.1	60	61	61	61.9	61.9	61.9

RESIST SHORT

		Units: CM						
Point of measure		28	30	32	34	36	38	40
1	Waist (half measurement)	38.7	41.3	43.8	46.4	48.9	51.4	54
2	Hip (4" up from inseam, half measurement)	48.9	51.4	54	56.5	59.1	61.6	65.1
3	Thigh (1" down from crotch)	32.4	33.7	34.9	36.2	37.5	38.7	40
4	Leg opening	25.1	25.4	26	26.7	27.3	27.9	28.6
5	Inseam	35.6	35.6	35.6	35.6	36.5	36.5	36.5
6	Outseam	58.7	59.7	59.7	59.7	60.6	61.6	61.6

SKYLINE/SKYLINE AIR SHORT

		Units: CM						
Point of measure		28	30	32	34	36	38	40
1	Waist (half measurement)	37.5	40	42.5	45.1	47.6	50.2	52.7
2	Hip (4" up from inseam, half measurement)	48.3	50.8	53.3	55.9	58.4	61	63.5
3	Thigh (1" down from crotch)	32.4	33.3	34.6	35.9	37.1	38.4	39.7
4	Leg opening	24.8	25.4	26	26.7	27.3	27.9	28.6
5	Inseam	34.3	34.3	33.7	33	33	33	32.1
6	Outseam	56.8	57.8	57.8	57.8	58.7	59.7	59.7

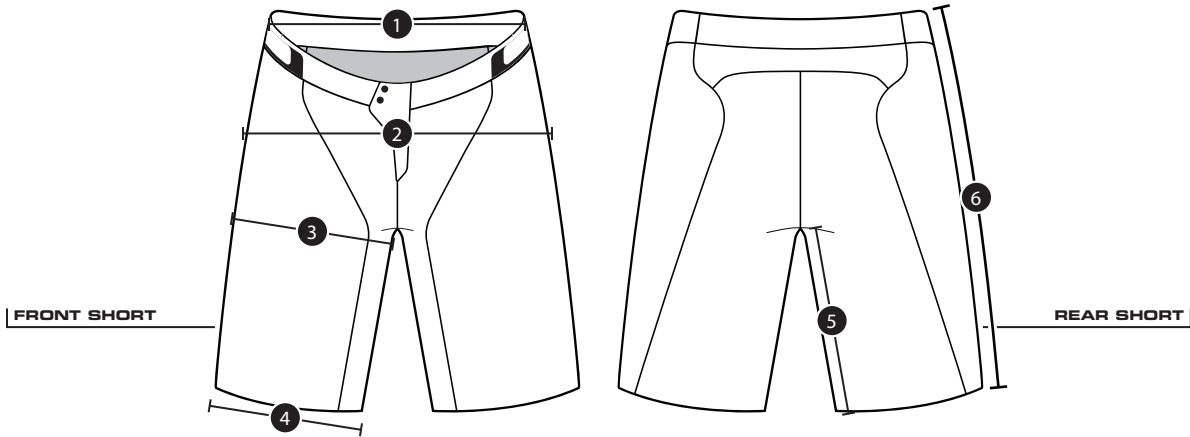
SKYLINE SHORTY SHORT

		Units: CM						
Point of measure		28	30	32	34	36	38	40
1	Waist (half measurement)	37.5	40	42.5	45.1	47.6	50.2	52.7
2	Hip (4" up from inseam, half measurement)	48.3	50.8	53.3	55.9	58.4	61	63.5
3	Thigh (1" down from crotch)	32.4	33.3	34.6	35.9	37.1	38.4	39.7
4	Leg opening	24.8	25.4	26	26.7	27.3	27.9	28.6
5	Inseam	27	27	26.4	25.4	25.7	26	25.1
6	Outseam	47.3	48.3	48.3	48.3	49.2	50.2	50.2

RUCKUS SHORT

		Units: CM						
Point of measure		28	30	32	34	36	38	40
1	Waist (half measurement)	38.7	41.3	43.8	46.4	48.9	51.4	54
2	Hip (4" up from inseam, half measurement)	48.9	51.4	54	56.5	59.1	61.6	64.1
3	Thigh (1" down from crotch)	32.4	33.7	34.9	36.2	37.5	38.7	40
4	Leg opening	22.9	24.1	25.4	26.7	27.9	29.2	30.5
5	Inseam	34.9	34.9	34.9	34.9	34.9	34.9	34.9
6	Outseam	60	60	61	61	61	61.9	61.9

MTB SHORT SPECS (cont.)



SPRINT SHORT

Units: CM

Point of measure	28	30	32	34	36	38	40
1 Waist (half measurement)	38.7	41.3	43.8	46.4	48.9	51.4	54
2 Hip (4" up from inseam, half measurement)	50.8	53.3	55.9	58.4	61	63.5	66
3 Thigh (1" down from crotch)	30.5	31.8	33	34.3	35.6	36.8	38.1
4 Leg opening	23.5	24.8	26	27.3	28.6	29.8	31.1
5 Inseam	35.6	35.6	35.6	35.6	35.6	35.6	35.6
6 Outseam	59.1	60	61	61	61.9	62.2	62.2

WOMEN'S LILIUM SHORT

Units: CM

Point of measure	XS	S	M	L	XL
1 Waist (half measurement)	34.9	37.5	40	42.5	45.1
2 Hip (4" up from inseam, half measurement)	47.6	50.2	52.7	55.2	57.8
3 Thigh (1" down from crotch)	30.5	31.8	33	34.3	35.6
4 Leg opening	21	22.2	23.5	24.8	26
5 Inseam	30.5	31.1	31.8	32.4	33
6 Outseam	49.5	51.4	53.3	55.2	55.2

WOMEN'S MISCHIEF SHORT

Units: CM

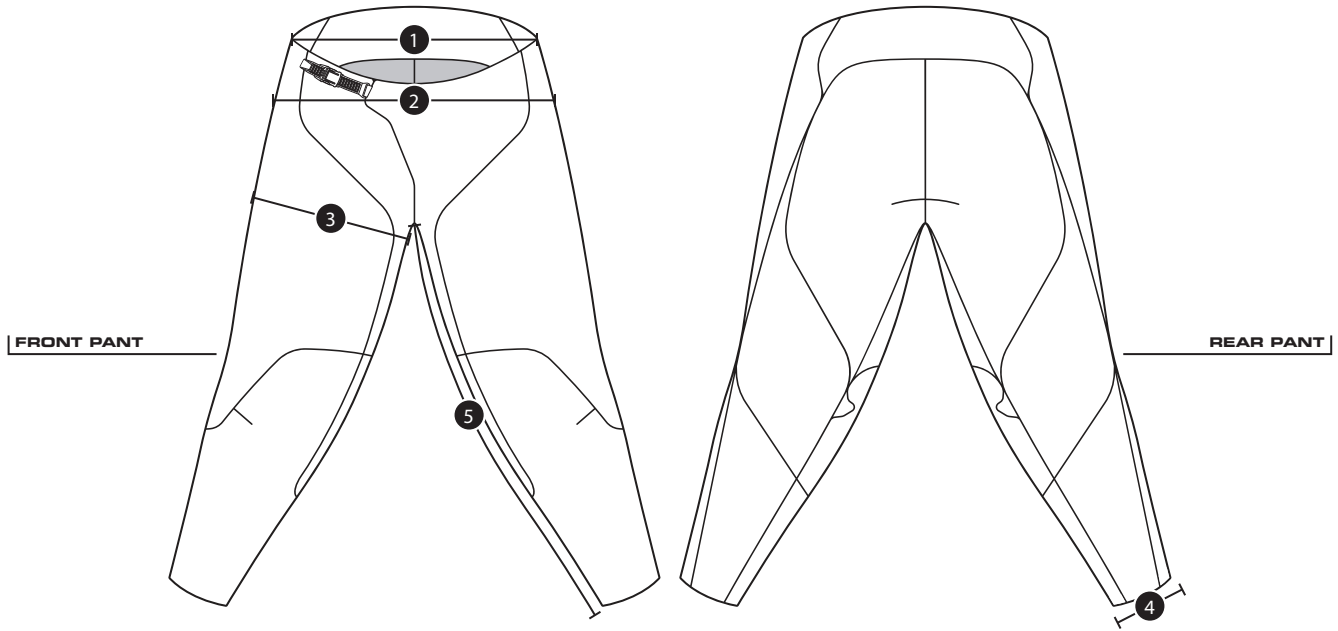
Point of measure	XS	S	M	L	XL
1 Waist (half measurement)	36.2	38.7	41.3	43.8	46.4
2 Hip (4" up from inseam, half measurement)	48.3	50.8	53.3	55.9	58.4
3 Thigh (1" down from crotch)	31.8	33	34.3	35.6	36.8
4 Leg opening	21.6	22.9	24.1	25.4	26.7
5 Inseam	34.3	34.9	35.6	36.2	36.8
6 Outseam	54	54	55.9	57.8	57.8

WOMEN'S LUXE SHORT

Units: CM

Point of measure	XS	S	M	L	XL
1 Waist (half measurement)	34.3	36.8	39.4	41.9	44.5
2 Hip (4" up from inseam, half measurement)	45.1	47.6	50.2	52.7	55.2
3 Thigh (1" down from crotch)	29.2	30.5	31.8	33	34.3
4 Leg opening	21	22.2	23.5	24.8	26
5 Inseam	30.5	31.1	31.8	32.4	33
6 Outseam	49.5	51.4	53.3	55.2	55.2

MTB PANT SPECS



YOUTH SPRINT PANT

	Units: CM					
Point of measure	18	20	22	24	26	28
1 Waist (half measurement)	24.1	26.7	29.2	31.8	34.3	36.8
2 Hip (4" up from inseam, half measurement)	37.1	39.7	42.2	44.8	47.3	49.8
3 Thigh (1" down from crotch)	21	22.2	23.5	24.8	26	27.3
4 Leg opening	12.1	12.7	13.3	13.3	13.3	14
5 Inseam	54	55.2	57.8	61.6	66.7	71.8

SPRINT PANT

	Units: CM						
Point of measure	28	30	32	34	36	38	40
1 Waist (half measurement)	38.1	40.6	43.2	45.7	48.3	50.8	53.3
2 Hip (4" up from inseam, half measurement)	26	54	56.5	59.1	61.6	64.1	66.7
3 Thigh (1" down from crotch)	29.2	30.5	31.8	33	34.3	35.6	36.8
4 Leg opening	14	14.6	15.2	15.9	16.5	17.1	17.8
5 Inseam	77.5	78.7	80	81.3	82.6	83.8	85.1

SPRINT ULTRA PANT

	Units: CM					
Point of measure	28	29	30	32	34	36
1 Waist (half measurement)	36.8	38.1	39.4	41.9	44.5	47
2 Hip (4" up from inseam, half measurement)	52.1	53.3	54.6	57.2	59.7	62.2
3 Thigh (1" down from crotch)	25.4	27.3	29.2	31.1	33	34.9
4 Leg opening	11.4	12.1	12.7	13.3	14.6	15.2
5 Inseam	73.7	76.2	77.5	79.4	81.9	85.1

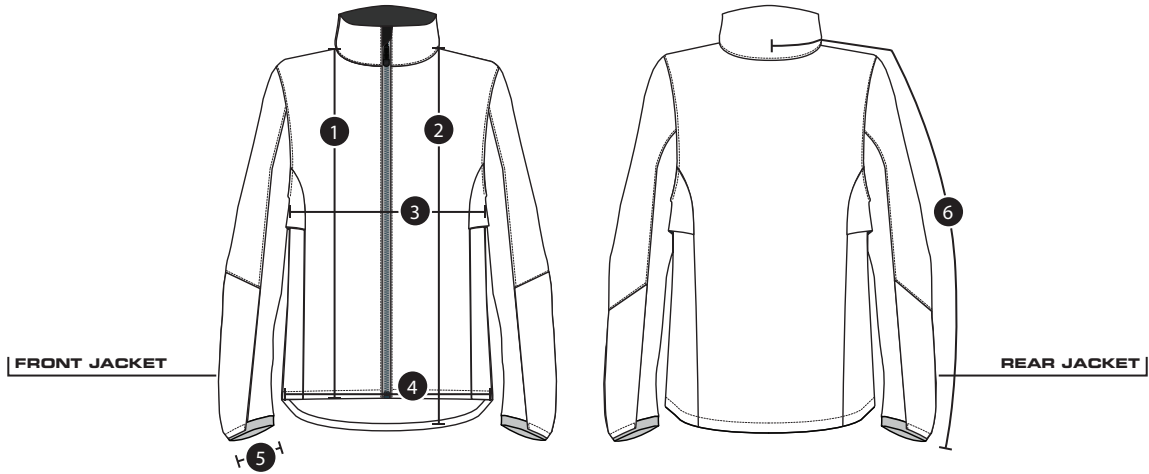
RESIST PANT

	Units: CM						
Point of measure	28	30	32	34	36	38	40
1 Waist (half measurement)	38.1	40.6	43.2	45.7	48.3	50.8	53.3
2 Hip (4" up from inseam, half measurement)	45.7	48.3	50.8	53.3	55.9	58.4	61
3 Thigh (1" down from crotch)	30.5	30.5	31.8	33	34.3	35.6	36.8
4 Leg opening	14	14.6	15.2	15.9	16.5	17.1	17.8
5 Inseam	80	81.3	82.6	83.8	85.1	86.4	87.6

SKYLINE PANT

	Units: CM						
Point of measure	28	30	32	34	36	38	40
1 Waist (half measurement)	37.5	40	42.5	45.1	47.6	50.2	52.7
2 Hip (4" up from inseam, half measurement)	48.3	50.8	53.3	55.9	58.4	61	63.5
3 Thigh (1" down from crotch)	32.4	33.7	34.9	36.2	37.5	38.7	40
4 Leg opening	14	14.6	15.2	15.9	16.5	17.1	17.8
5 Inseam	80	82.6	82.6	82.6	85.1	85.1	85.1

MTB JACKET SPECS



DESCENT JACKET

Point of measure

		Units: CM				
		S	M	L	XL	XXL
1	Center front from HPS (High Point Shoulder)	66	67.3	68.6	69.9	71.1
2	Center back from HPS (High Point Shoulder)	73.7	74.9	76.2	77.5	78.7
3	Chest (At Armhole)	52.1	54.6	57.2	59.7	62.2
4	Hem Opening	49.5	52.1	54.6	57.2	59.7
5	Sleeve opening	12.1	12.7	13.3	14	14.6
6	Sleeve length	92.7	95.3	97.8	100.3	102.9

SHUTTLE JACKET

Point of measure

		Units: CM					
		XS	S	M	L	XL	XXL
1	Center front from HPS (High Point Shoulder)	67.9	69.2	70.5	71.8	73	74.3
3	Chest (1" Below Armhole)	47.6	50.2	52.7	55.2	57.8	60.3
4	Hem Opening	48.3	50.8	53.3	55.9	58.4	61
5	Sleeve opening	9.5	10.2	10.8	11.4	12.1	12.7
6	Sleeve length	87.6	90.2	92.7	95.3	97.8	100.3

GLOVE SPECS

How to find your hand measurements

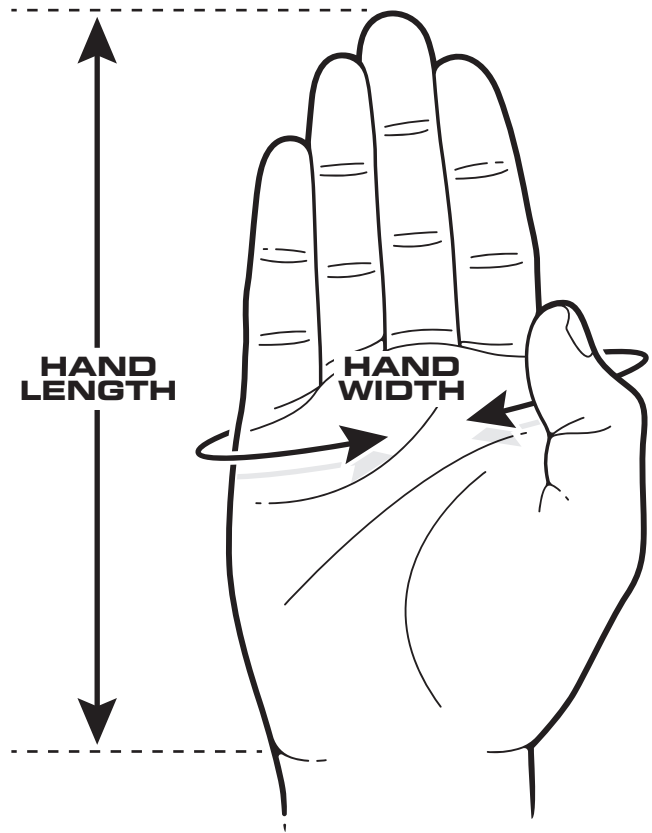
*Use the following information to help you find your hand measurements.

HAND LENGTH

With your hand open, measure from the tip of your middle finger, down to the crease at the base of your palm.

PALM CIRCUMFERENCE

With your hand open, measure around the circumference of your hand, at the base of your knuckles.



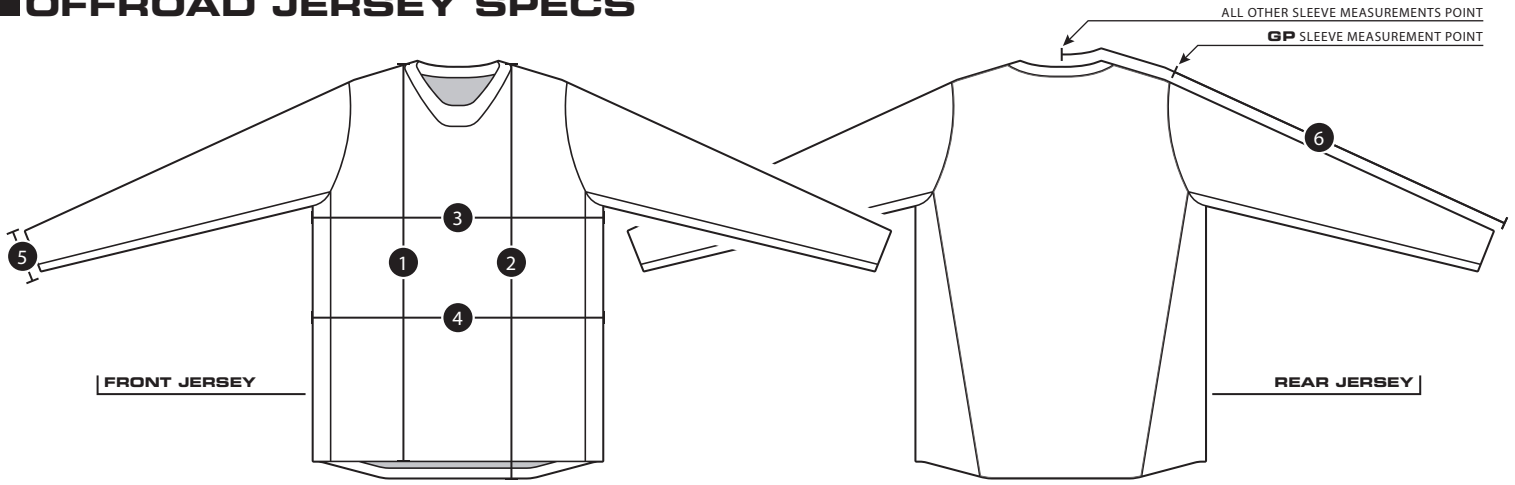
Calculate your measurements, then select your product size.

MEN'S GLOVE SIZING		Units: Centimeters				
Point of measure		XS	S	M	L	XL
1	Palm circumference	19 $\frac{1}{3}$ - 20	20 - 21	21 - 21 $\frac{3}{4}$	21 $\frac{3}{4}$ - 22 $\frac{3}{4}$	22 $\frac{3}{4}$ - 23 $\frac{1}{2}$
2	Hand length	17 $\frac{3}{4}$ - 18 $\frac{1}{2}$	18 $\frac{1}{2}$ - 19	19 - 19 $\frac{3}{4}$	19 $\frac{3}{4}$ - 20 $\frac{1}{4}$	20 $\frac{1}{4}$ - 20 $\frac{3}{4}$

WOMEN'S GLOVE SIZING		Units: Centimeters			
Point of measure		XS	S	M	L
1	Palm circumference	16 $\frac{1}{2}$ - 17 $\frac{1}{2}$	17 $\frac{1}{2}$ - 18 $\frac{1}{4}$	18 $\frac{1}{4}$ - 19	19 - 19 $\frac{3}{4}$
2	Hand length	16 $\frac{1}{2}$ - 17	17 - 17 $\frac{3}{4}$	17 $\frac{3}{4}$ - 18 $\frac{1}{3}$	18 $\frac{1}{3}$ - 19

YOUTH GLOVE SIZING		Units: Centimeters					
Point of measure		XXS	XS	S	M	L	XL
1	Palm circumference	13.6	14.4	15.2	16	16.8	17.6
2	Hand length	15.1	15.8	16.5	17.2	17.9	18.6

OFFROAD JERSEY SPECS



SCOUT GP JERSEY

Point of measure

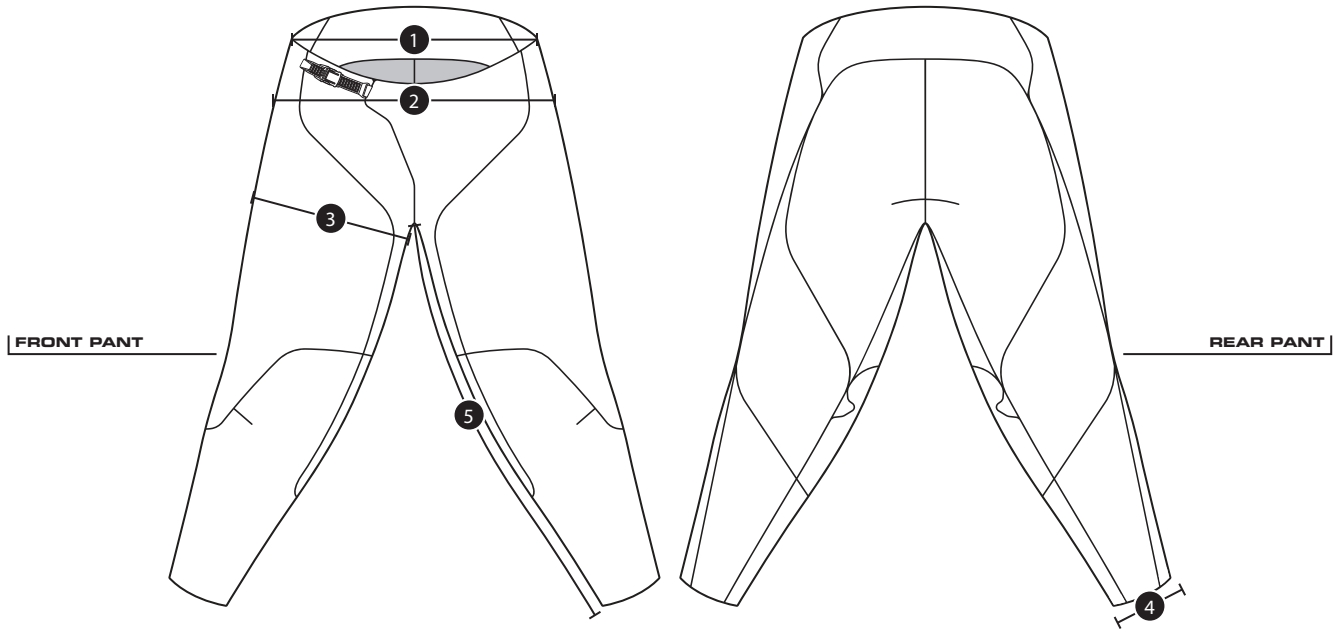
		Units: CM				
		S	M	L	XL	XXL
1	Center front from HPS (High Point Shoulder)	72.4	74.3	76.2	78.1	80
2	Center back from HPS (High Point Shoulder)	77.5	79.4	81.3	83.2	85.1
3	Chest (1" below armhole)	50.8	54.6	58.4	62.2	67.3
4	Waist (8" below armhole)	50.8	54.6	58.4	62.2	67.3
5	Sleeve opening	9.5	10.2	10.8	11.4	12.1
6	Sleeve length (center back neck to sleeve opening)	85.1	87.6	90.2	92.7	95.3

SCOUT SE JERSEY

Point of measure

		Units: CM				
		S	M	L	XL	XXL
1	Center front from HPS (High Point Shoulder)	72.4	74.3	76.2	78.1	80
2	Center back from HPS (High Point Shoulder)	77.5	79.4	81.3	83.2	85.1
3	Chest (1" below armhole)	50.8	54.6	58.4	62.2	66
4	Waist (8" below armhole)	50.8	54.6	58.4	62.2	66
5	Sleeve opening	9.5	10.2	10.8	11.4	12.1
6	Sleeve length (center back neck to sleeve opening)	85.1	87.6	90.2	92.7	95.3

OFFROAD PANT SPECS



SCOUT GP PANT

Units: CM

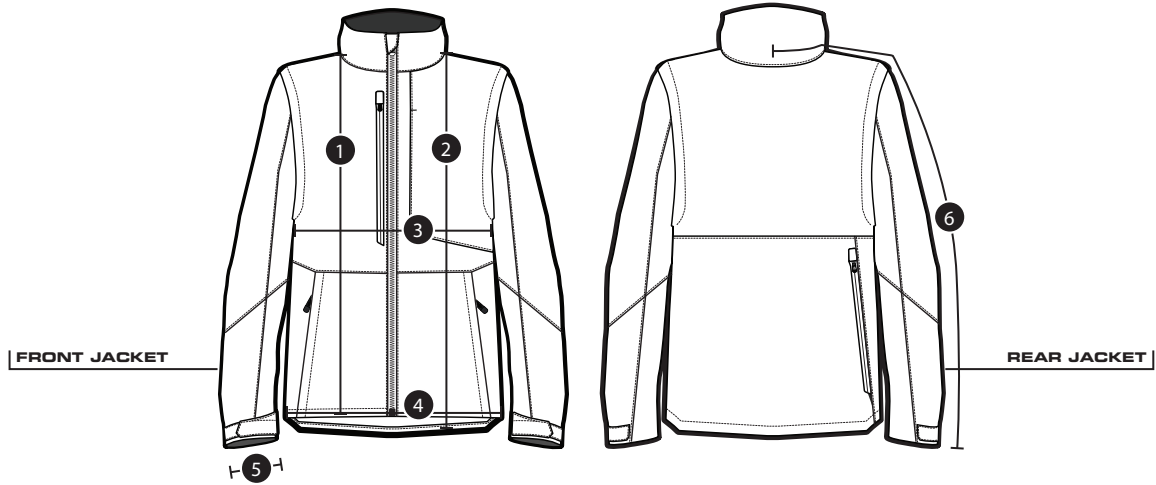
Point of measure	28	30	32	34	36	38
1 Waist (half measurement)	35.6	38.1	40.6	43.2	45.7	48.3
2 Hip (4" up from inseam, half measurement)	49.5	52.1	54.6	57.2	59.7	62.2
3 Thigh (1" down from crotch)	29.8	31.1	32.4	33.7	34.9	36.2
4 Leg opening	14	14.6	15.2	15.9	16.5	17.1
5 Inseam	74.9	74.9	74.9	74.9	74.9	74.9

SCOUT SE PANT

Units: CM

Point of measure	28	30	32	34	36	38	40	42	44
1 Waist (half measurement)	36.2	38.7	41.3	43.8	46.4	48.9	51.4	54	56.5
2 Hip (4" up from inseam, half measurement)	50.8	53.3	55.9	58.4	61	63.5	66	68.6	71.1
3 Thigh (1" down from crotch)	30.8	32.1	33.3	34.6	35.9	37.1	38.4	39.7	41
4 Leg opening	13.7	14.3	14.9	15.6	16.2	16.8	17.5	18.1	18.7
5 Inseam	74.9	74.9	74.9	74.9	74.9	74.9	74.9	74.9	74.9

OFFROAD JACKET SPECS



SCOUT TRAVERSE JACKET

Point of measure

		Units: CM				
		S	M	L	XL	XXL
1	Center front from HPS (High Point Shoulder)	69.2	70.5	71.8	73	74.3
2	Center back from HPS (High Point Shoulder)	73	74.3	75.6	76.8	78.1
3	Chest (1" Below Armhole)	54	57.8	61.6	65.4	69.2
4	Hem Opening	52.7	56.5	60.3	64.1	67.9
5	Sleeve opening	12.1	12.7	13.3	14	14.6
6	Sleeve length	90.8	93.3	95.9	98.4	101