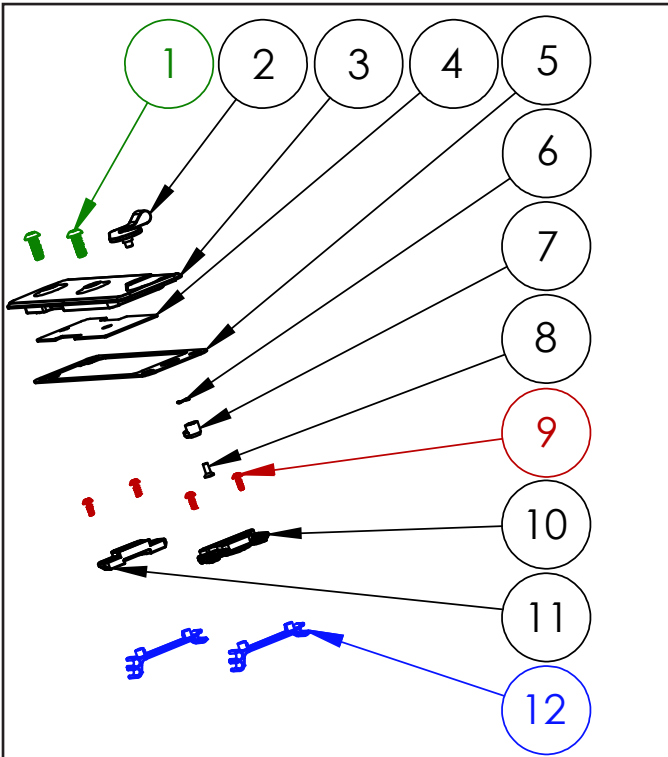




The Tool Shed is Pivot's in-frame storage and cable management system. This frame feature gives you not only internal storage but also advanced cable management. This guide will walk you through the steps to remove and install the Tool Shed in your frame.

TABLE OF CONTENTS		PAGE
1. Tool Shed Schematic and Parts		1
2. Tool Shed Door Removal and Installation		2
2. Cable Routing & Cable Clips		3

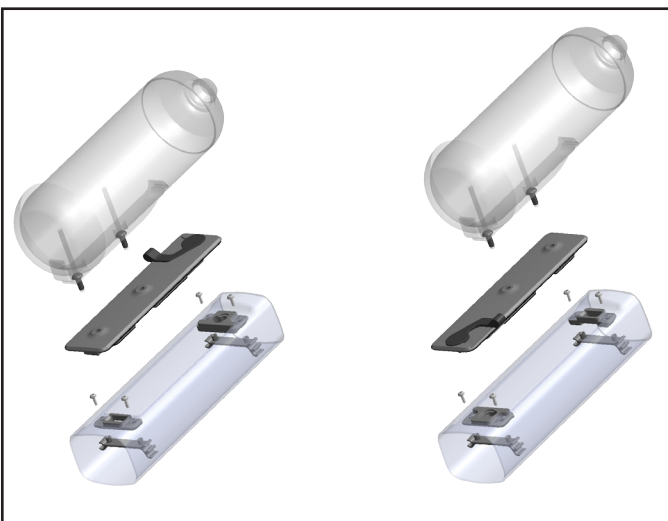
Tool Shed Small Parts



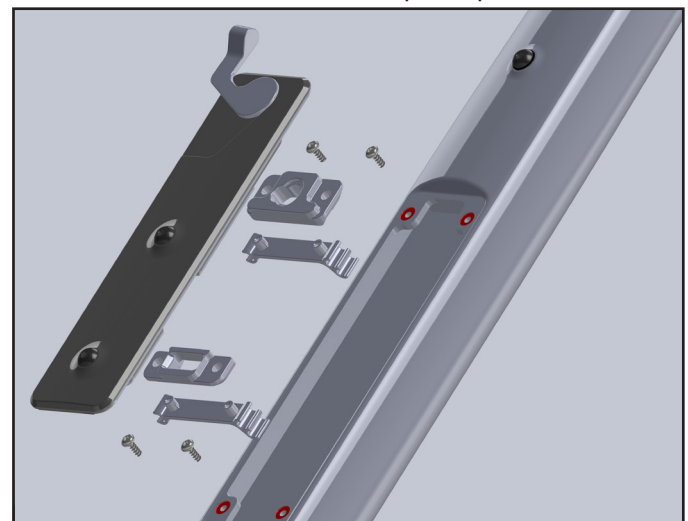
Tool Shed Parts Table

#	PART NUMBER	DESCRIPTION
1	FP-BLT-BTN-M5*14-V1-R1-BLK	Tool Shed - M5x0.8x14 Water Bottle Bolts
2	FP-SHD-LEVER-V1	Tool Shed - Lever
3	FP-SHD-DOOR-V1-R1	Tool Shed - Door
4	FP-SHD-PAD-V1-R1	Tool Shed - Rubber Tool Pad
5	FP-SHD-GKT-V1-R1	Tool Shed - Rubber Gasket
6	FP-SHD-WSH-WAVE-V1-R1	Tool Shed - Lever Assembly Wave Washer
7	FP-SHD-CAM-V1-R1	Tool Shed - Cam
8	FP-SCW-FLT-M3*8-V1-R1	Tool Shed - M3 Lever Assembly Screw
9	FP-SCW-BTN-ST-M3*8-V1-R1	Tool Shed - M3 Installation Screws
10	FP-SHD-CAM-INSRT-V1-R1	Tool Shed - Cam Insert
11	FP-SHD-HOOK-V1-R1	Tool Shed - Hook Insert
12	FP-SHD-PLATE-NRRW-V1-R1	Tool Shed - Cable Clip Insert

Tool Shed Door Shown in Both Positions



Tool Shed Door and Cable Clips Exploded View

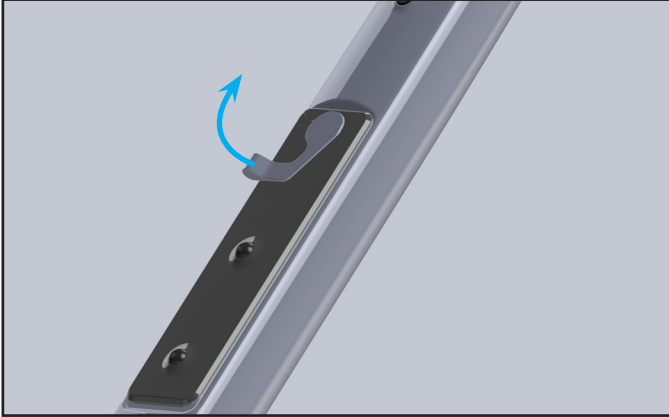


TOOL SHED DOOR REMOVAL & INSTALLATION

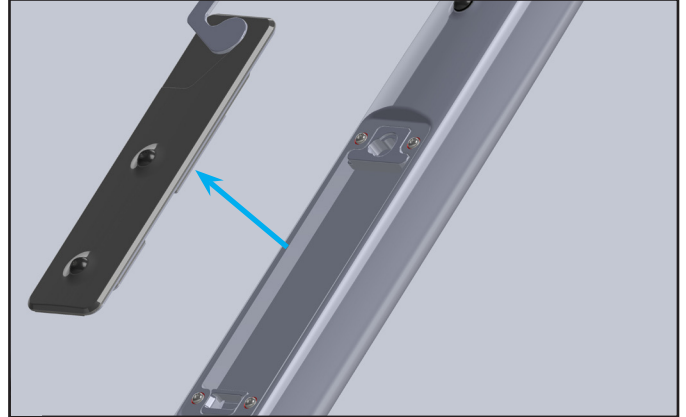


- The Tool Shed Door features a magnet for holding a spare chain link.
- It also has an opening that can be used for a strap to hold tools on the door for easy access.
- The Cam Insert (10) and Hook Insert (11) can be mounted at either end of the opening. This gives you options to mount the Tool Shed Door as shown or rotated 180 degrees.

1.) Rotate the Tool Shed Door Lever to release the latch.



2.) Lift the Tool Shed Door straight up out of the frame.



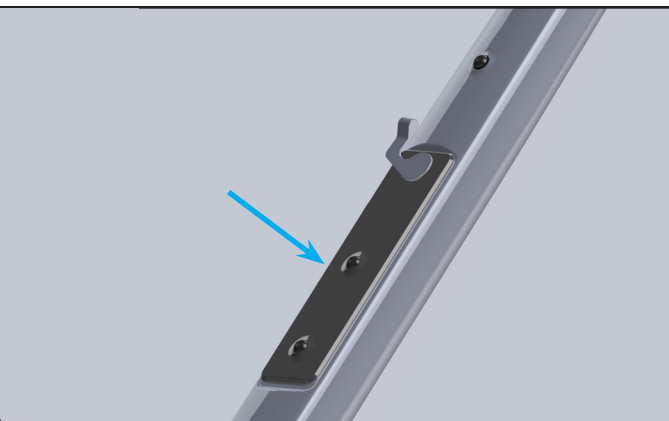
A spare chain link can be secured to the door with the magnet circled in **blue**. A strap can be routed through the opening circled in **orange**.



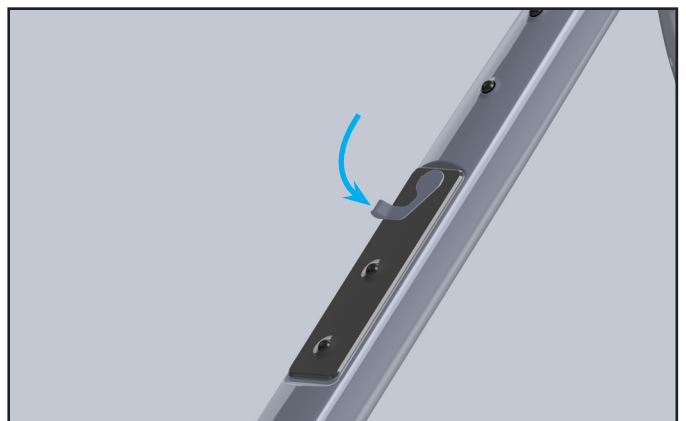
Examples of mounting items to the inside of the Tool Shed Door. *Mounting items on the door may interfere with internal bag storage.



3.) Place the Tool Shed Door straight down over the opening. Confirm both ends of the door fit in the latch openings.



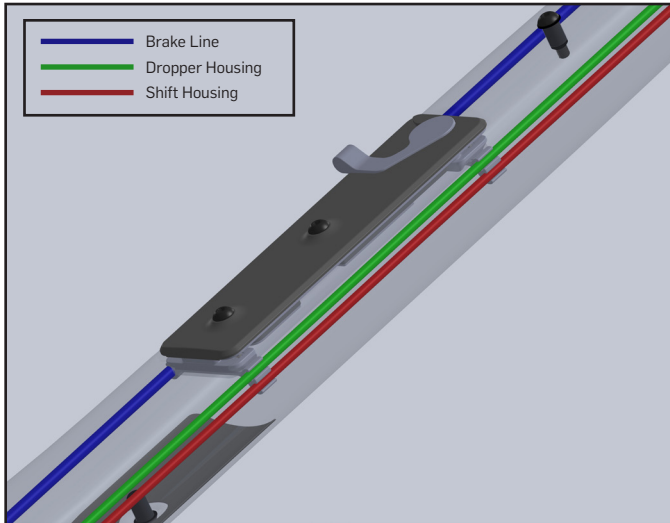
4.) Rotate the Tool Shed Door Lever to lock the latch. Confirm it is level and secure before riding.



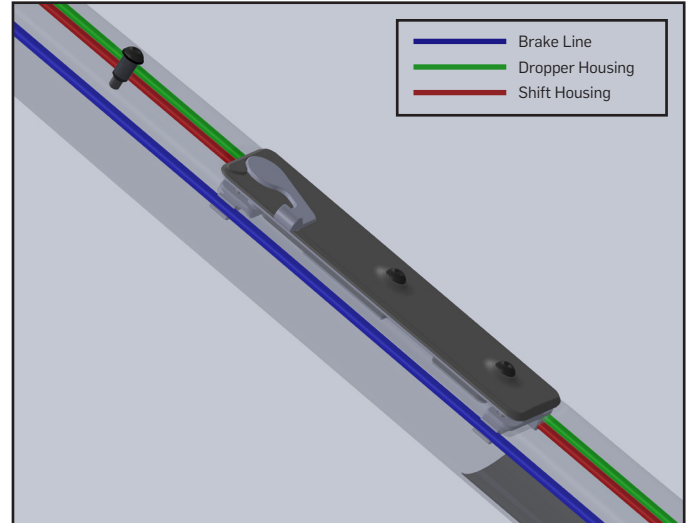


Inside the frame the Tool Shed assembly features cable clips. These clips keep any internal routed lines secure against the upper corners of the down tube eliminating cable noise. The clips also keep the inside of the frame smooth and easy to insert and remove items you would like to store inside the frame.

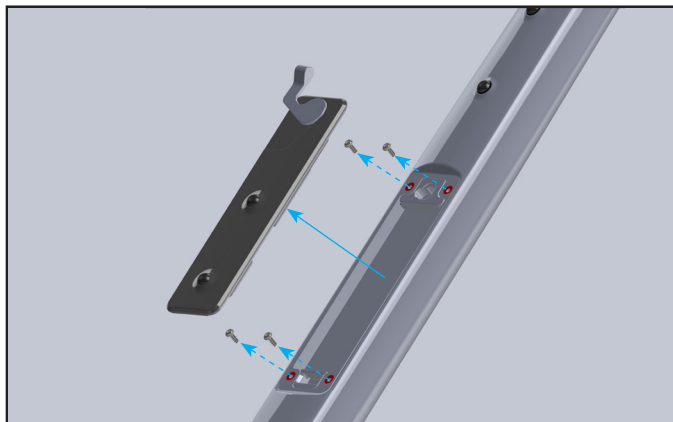
Drive Side View of Internal Routing



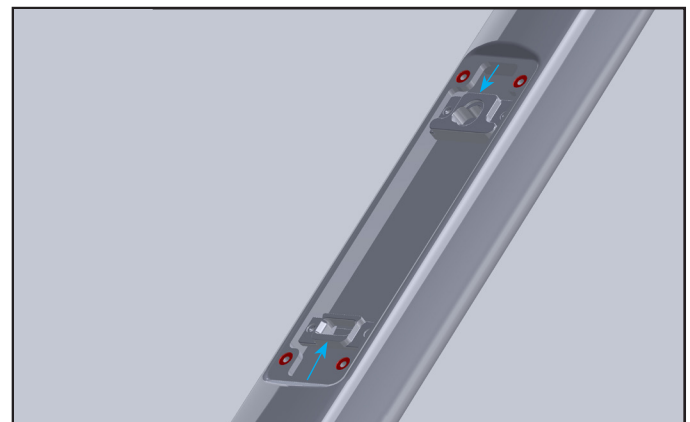
Non-Drive Side View of Internal Routing



1.) To remove or install the Cable Clips for routing the Tool Shed Door and the Installation Screws need to be removed.



2.) Slide the Cam Latch and the Hook Latch to the center of the frame opening. The Cable Clips will slide on the housing.



3.) With Latches and Clips free from the frame unclip housing from each side of the assemblies.

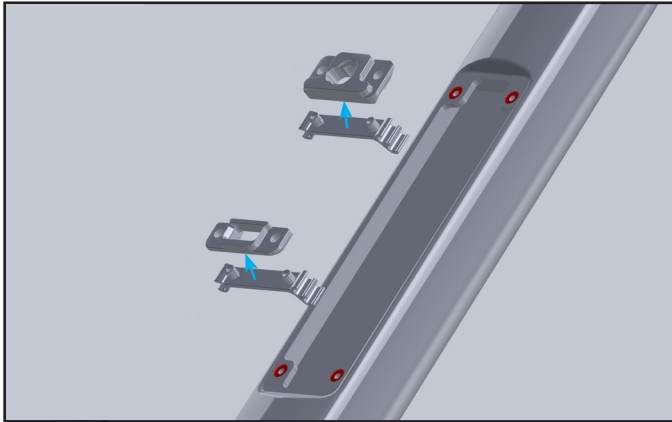


4.) The Clips can be removed from the Latches changing their orientation or replacing parts.





5.) Insert the Cable Clips into both latch assemblies. Check the clips are oriented as shown for proper routing.



6.) If you are installing a cabled dropper post, click this housing through the upper drive side Cable Clips. *The upper clip has a slightly larger inner diameter so housing can slide for adjustments.*



7.) If routing shift housing, click it into the lower drive side Cable Clips.



8.) Click the brake line into the non-drive side Cable Clips.



9.) Hold the housing(s) in the frame opening and slide the latches into place at the ends.



10.) Thread the four Installation Screws in and tighten them to snug. Replace the Tool Shed Door and the routing is complete.

